

19

Страницы раздела
001-031

Страницы раздела
032-046

Страницы раздела
047-053

РАНОРАСШИРИТЕЛИ САМОУДЕРЖИВАЮЩИЕСЯ

HIL RETRACTOR SYSTEM

ЗЕРКАЛА СМЕННЫЕ К РАНОРАСШИРИТЕЛЯМ

RETRACTORS CHANGEABLE SPECULUMS

СИСТЕМЫ ФИКСАЦИИ ПО LEYLA

LEYLA FIXATION SYSTEM

Перейти в **СОДЕРЖАНИЕ**





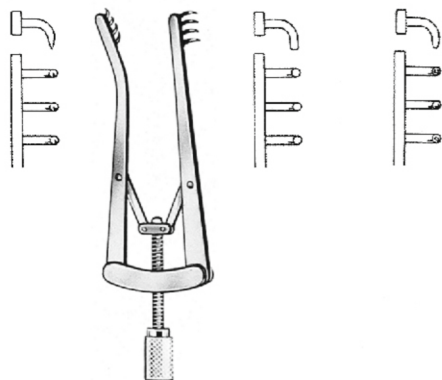
LOGAN
19.0010.04 4.0cm



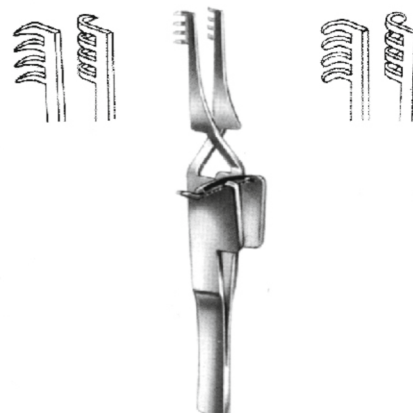
BUCKLEY
19.0014.06 6.0cm



19.0020.08 8.0cm



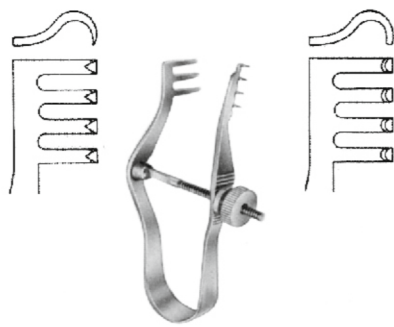
ALM
sharp 19.0030.07 7.0cm
blunt 19.0032.07 7.0cm
sharp 19.0030.10 10.0cm
blunt 19.0032.10 10.0cm



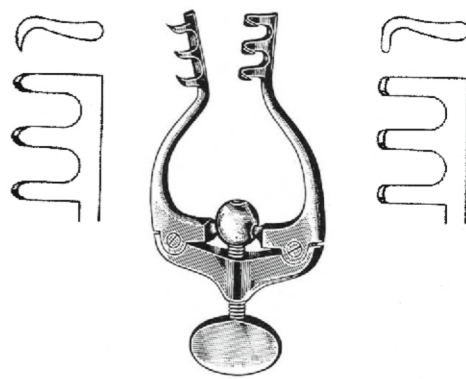
KAUPP
shrap 19.0040.10 10.0cm
blunt 19.0042.10 10.0cm



FINSEN
sharp 19.0050.05 5.0cm
blunt 19.0052.05 5.0cm
sharp 19.0050.07 7.0cm
blunt 19.0052.07 7.0cm



FINSEN
sharp 19.0054.05 5.0cm
blunt 19.0056.05 5.0cm
sharp 19.0054.07 7.0cm
blunt 19.0056.07 7.0cm



JANSEN
sharp 19.0060.10 10.0cm
blunt 19.0062.10 10.0cm



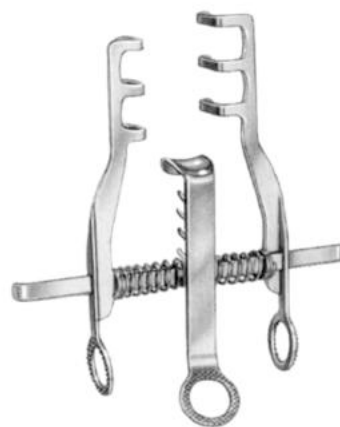
VICKERS
19.0070.00 5.0cm



VICKERS 7.5cm
19.0072.00 complete with central blade
19.0072.01 10x12mm
19.0072.02 10x18mm



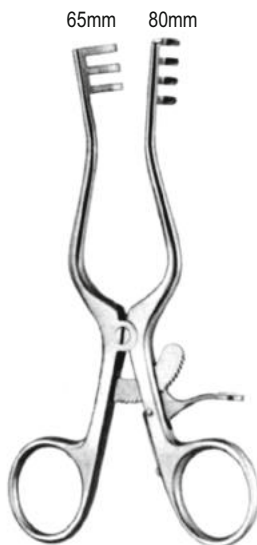
VICKERS 7.5cm
19.0074.00 complete with central blade
19.0072.01 10x12mm
19.0072.02 10x18mm



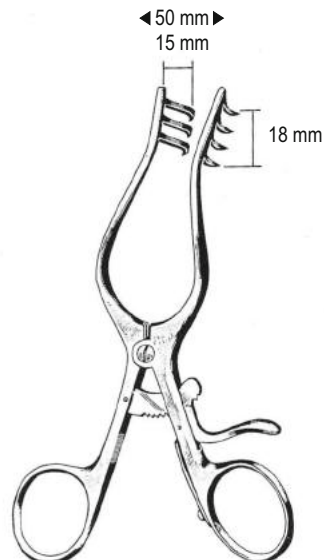
VICKERS 9.0cm
19.0076.00 complete with central blade
19.0072.01 10x12mm
19.0072.02 10x18mm



WEITLANER-LOKTITE
sharp 19.0080.10 10.5cm blunt 19.0082.10



WEITLANER
sharp 19.0084.13 13.0cm blunt 19.0086.13
19.0084.14 14.0cm blunt 19.0086.14
19.0084.16 16.0cm blunt 19.0086.16



WEITLANER-WULLSTEIN
sharp 19.0088.13 13.0cm blunt 19.0089.13



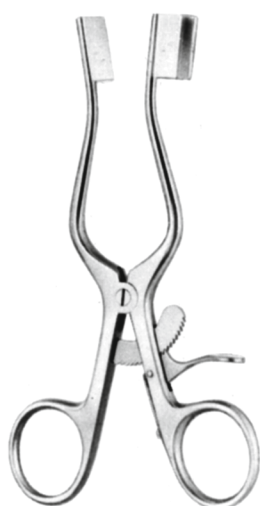
WEITLANER-WULLSTEIN
sharp 19.0090.13 13.0cm blunt 19.0092.13



WEITLANER
sharp 19.0094.20 20.0cm blunt 19.0096.20
19.0094.23 23.0cm blunt 19.0096.23
19.0094.26 26.0cm blunt 19.0096.26



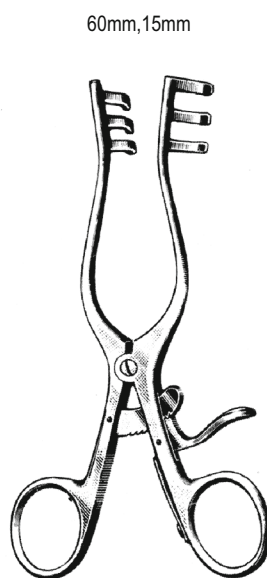
TRAVERS
19.0100.20 20.0cm
19.0100.21 21.0cm



WEITLANER-BABY
19.0104.13 13.0cm



MILLIGAN
19.0110.13 13.0cm



WEST
sharp blunt
19.0114.13 13.0cm 19.0116.13



ANDERSON-ADSON
19.0120.19 19.5cm



PLESTER
sharp blunt
19.0124.13 13.0cm 19.0126.13



PLESTER
19.0130.11 11.0cm



PLESTER
19.0132.11 11.0cm



SCALP CONTOUR
sharp blunt
19.0140.14 14.0cm 19.0142.14



MOLLISON
19.0150.16 16.5cm



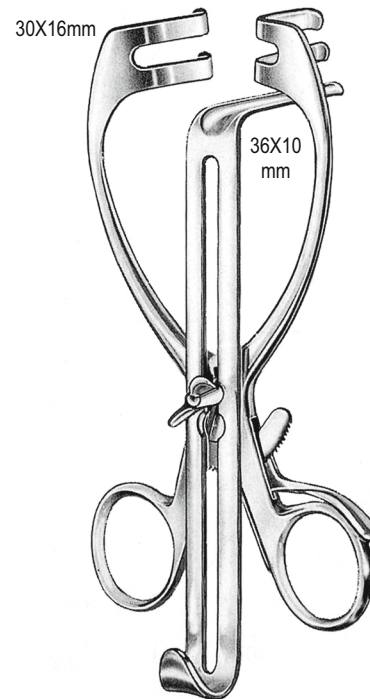
MOLLISON
19.0152.15 15.0cm



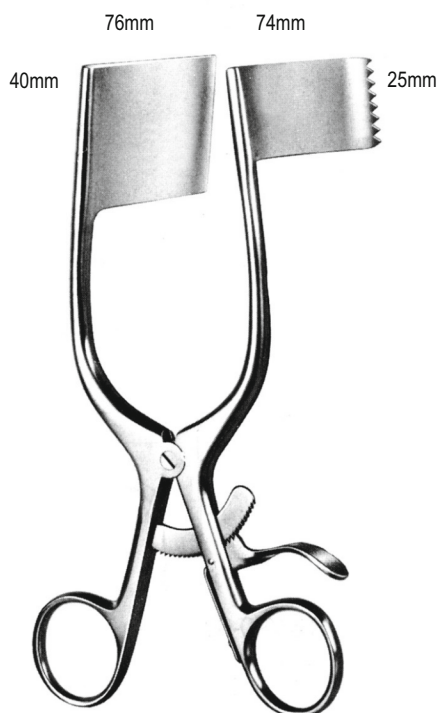
RIGBY
19.0156.18 18.0cm



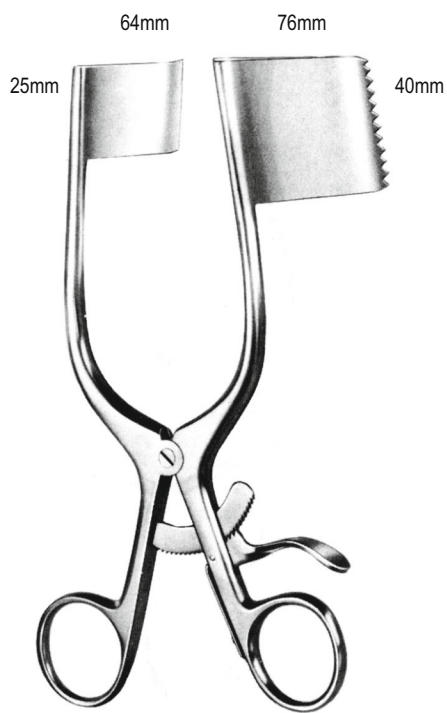
MAYO-ADAMS
19.0160.17 17.0cm



MAYO-ADAMS
19.0162.17 17.0cm



DARLING
19.0170.18 18cm



DARLING
19.0172.18 18cm



HENLEY
sharp 19.0176.01 16.5cm
blunt 19.0176.02



centre blade
19.0176.19
16x19mm

centre blade
19.0176.25
16x25mm

centre blade
19.0176.32
16x32mm



GELPI-LOKTITE
19.0180.13 13.0cm



GELPI
19.0182.09 09.0cm
19.0182.14 14.0cm
19.0182.16 16.0cm
19.0182.18 18.0cm



GELPI
19.0186.18 18.0cm



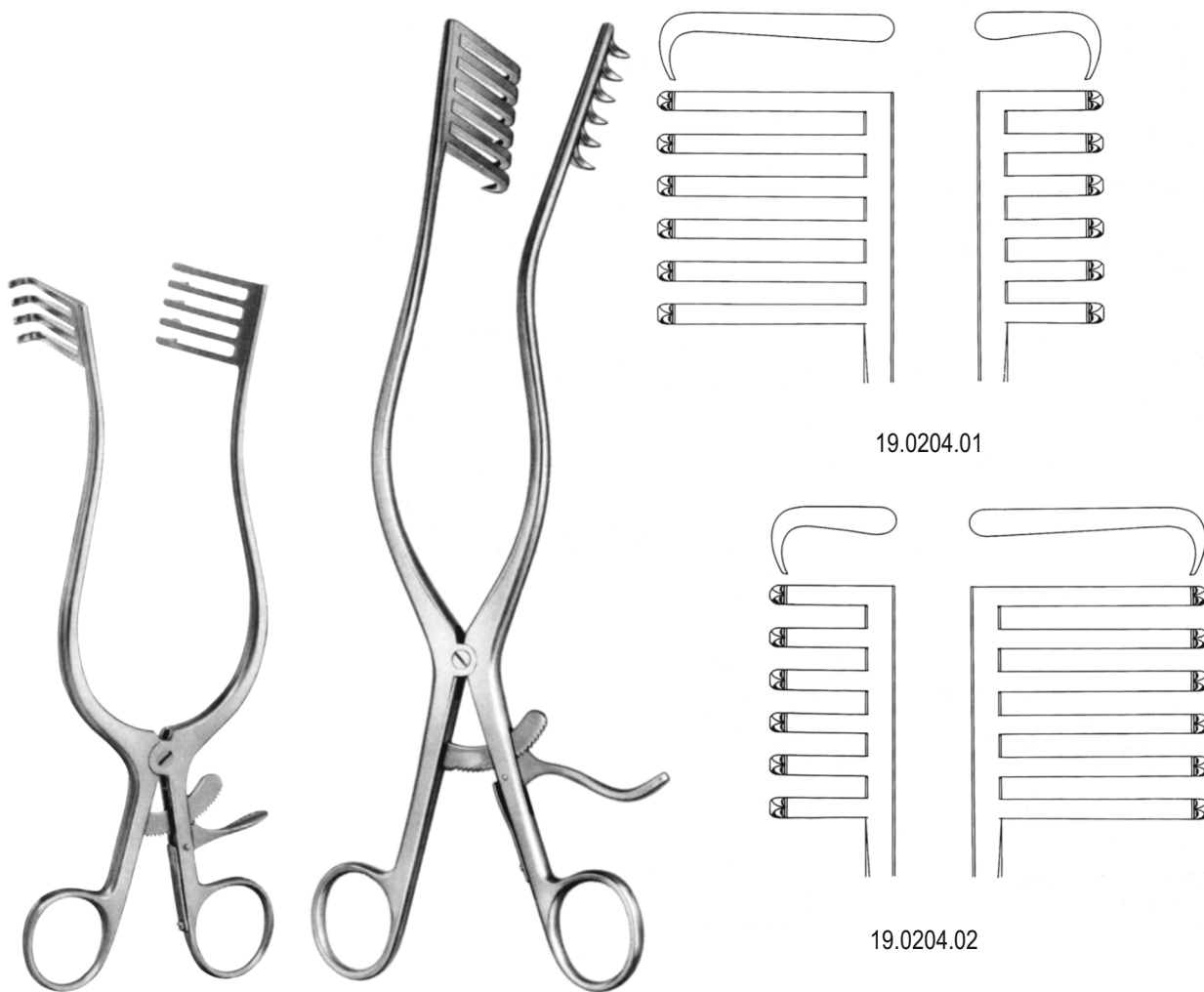
GELPI-SEILETZ
19.0190.15 15.0cm



GELPI-LOKTITE
19.0194.18 18.0cm



GELPI-LOKTITE
19.0196.18 18.0cm



NORFOLK-NORWICH
19.0200.22 22.0cm

27.0cm

19.0204.01

19.0204.02



ADSON

sharp		blunt
19.0210.13	13.0cm	19.0212.13
19.0210.16	16.0cm	19.0212.16
19.0210.20	20.0cm	19.0212.20
19.0210.26	26.0cm	19.0212.26

ADSON
19.0216.32 32.0cm

HARVEY JACKSON
19.0220.28 28.0cm

150mm



BECKMANN
19.0224.31 31.0cm



BECKMANN-EATON
19.0230.32 32.0cm



BECKMANN-ADSON
sharp 31.0cm blunt
19.0234.01 27x27mm 19.0236.01
19.0234.02 46x27mm 19.0236.02



CLOWARD

16.0cm

19.0240.00 complete
19.0240.01 frame



CLOWARD

25.0cm

19.0242.00 complete
19.0242.01 frame



CLOWARD-HOEN

23.0cm

19.0244.00 complete
19.0244.01 frame



19.0246.40
19.0246.45
19.0246.50
19.0246.55
19.0246.60

40x16mm
45x16mm
50x16mm
55x16mm
60x16mm



19.0248.40
19.0248.45
19.0248.50
19.0248.55
19.0248.60



CASPAR

19.0254.00 complete
19.0254.17 without blade

19.0254.40 40mm

19.0254.45 45mm

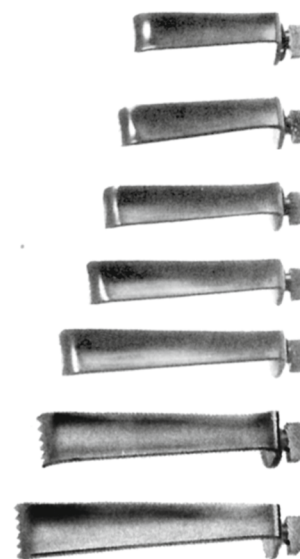
19.0254.50 50mm

19.0254.55 55mm

19.0254.60 60mm

19.0254.65 65mm

19.0254.70 70mm



CASPAR

19.0260.45 - 19.0260.65



19.0260.45 45mm

19.0260.50 50mm

19.0260.55 55mm

19.0260.60 60mm

19.0260.65 65mm



CASPAR



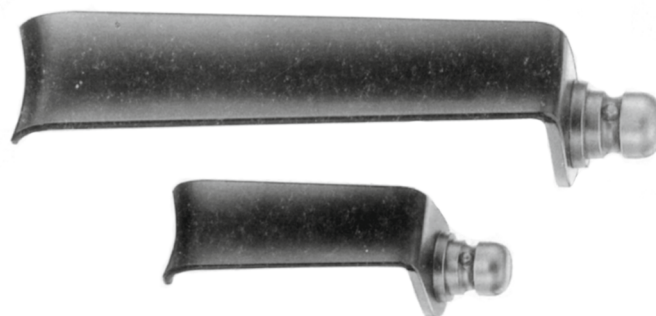
- 19.0262.40 40mm
- 19.0262.45 45mm
- 19.0262.50 50mm
- 19.0262.55 55mm
- 19.0262.60 60mm
- 19.0262.65 65mm
- 19.0262.75 75mm
- 19.0262.85 85mm



BLADE EJECTOR
19.0266.11 11.5cm



CASPAR
19.0270.00



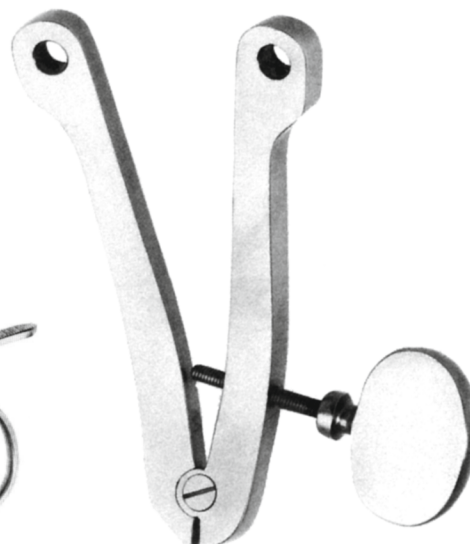
- 19.0270.35 35mm
- 19.0270.40 40mm
- 19.0270.45 45mm
- 19.0270.50 50mm
- 19.0270.55 55mm
- 19.0270.60 60mm
- 19.0270.65 65mm
- 19.0270.75 75mm
- 19.0270.85 85mm



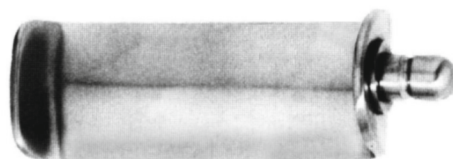
CASPAR
19.0274.00 complete
19.0274.15 without blade



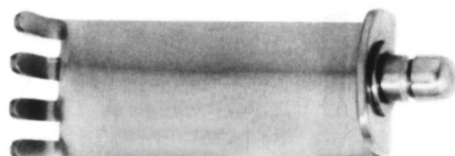
CASPAR
19.0276.00 complete
19.0276.15 without blade



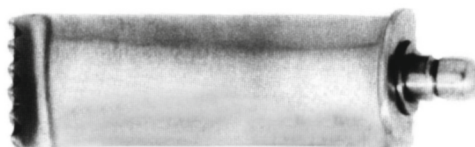
CASPAR
19.0280.00 complete
19.0280.01 without blade



19.0282.45 45x20mm
19.0282.50 50x20mm
19.0282.55 55x20mm
19.0282.60 60x20mm
19.0282.65 65x20mm



19.0284.40 40x20mm
19.0284.45 45x20mm
19.0284.50 50x20mm
19.0284.55 55x20mm
19.0284.60 60x20mm



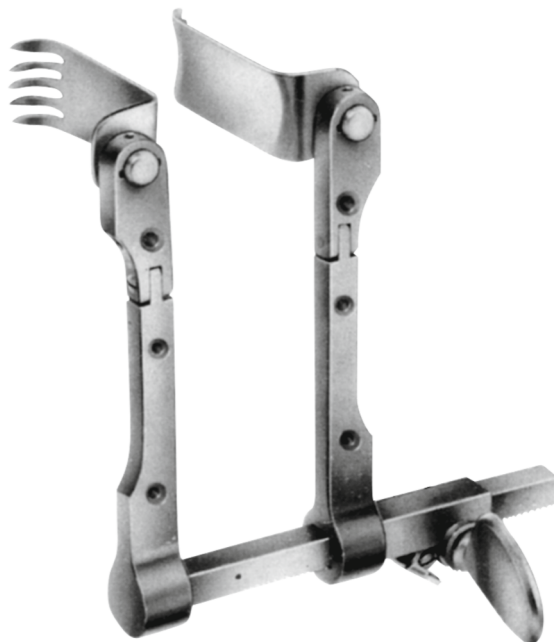
19.0286.40 40x20mm
19.0286.45 45x20mm
19.0286.50 50x20mm
19.0286.55 55x20mm
19.0286.60 60x20mm



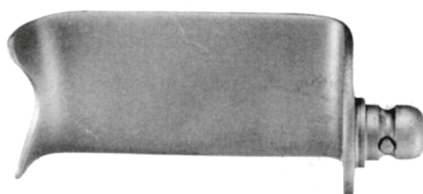
CASPAR
19.0290.00 complete
19.0290.01 without blade
115mmx85mm



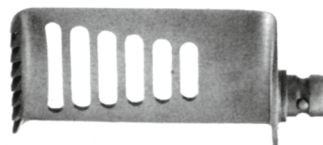
CASPAR
19.0294.00 complete
19.0294.01 without blade
165mmx90mm



CASPAR
19.0300.00 complete
19.0300.01 without blade
120mmx90mm



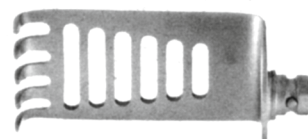
S.STEEL	TITANIUM
19.0310.30	30x24mm 19.9310.30
19.0310.35	35x24mm 19.9310.35
19.0310.40	40x24mm 19.9310.40
19.0310.45	45x24mm 19.9310.45
19.0310.50	50x24mm 19.9310.50
19.0310.55	55x24mm 19.9310.55
19.0310.60	60x24mm 19.9310.60
19.0310.65	65x24mm 19.9310.65
19.0310.70	70x24mm 19.9310.70
19.0310.75	75x24mm 19.9310.75



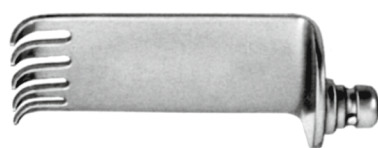
S.STEEL	TITANIUM
19.0316.25	25x24mm 19.9316.25
19.0316.30	30x24mm 19.9316.30
19.0316.35	35x24mm 19.9316.35
19.0316.40	40x24mm 19.9316.40
19.0316.45	45x24mm 19.9316.45
19.0316.50	50x24mm 19.9316.50
19.0316.55	55x24mm 19.9316.55
19.0316.60	60x24mm 19.9316.60
19.0316.65	65x24mm 19.9316.65
19.0316.70	70x24mm 19.9316.70



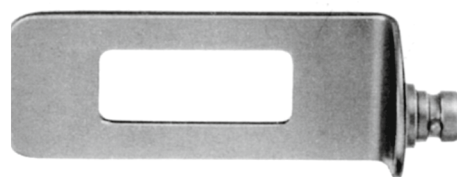
S.STEEL	TITANIUM
19.0312.30	30x23mm 19.9312.30
19.0312.35	35x23mm 19.9312.35
19.0312.40	40x23mm 19.9312.40
19.0312.45	45x23mm 19.9312.45
19.0312.50	50x23mm 19.9312.50
19.0312.55	55x23mm 19.9312.55
19.0312.60	60x23mm 19.9312.60
19.0312.65	65x23mm 19.9312.65
19.0312.70	70x23mm 19.9312.70
19.0312.75	75x23mm 19.9312.75



S.STEEL	TITANIUM
19.0318.25	25x24mm 19.9318.25
19.0318.30	30x24mm 19.9318.30
19.0318.35	35x24mm 19.9318.35
19.0318.40	40x24mm 19.9318.40
19.0318.45	45x24mm 19.9318.45
19.0318.50	50x24mm 19.9318.50
19.0318.55	55x24mm 19.9318.55
19.0318.60	60x24mm 19.9318.60
19.0318.65	65x24mm 19.9318.65
19.0318.70	70x24mm 19.9318.70



S.STEEL	TITANIUM
19.0314.30	30x23mm 19.9314.30
19.0314.35	35x23mm 19.9314.35
19.0314.40	40x23mm 19.9314.40
19.0314.45	45x23mm 19.9314.45
19.0314.50	50x23mm 19.9314.50
19.0314.55	55x23mm 19.9314.55
19.0314.60	60x23mm 19.9314.60
19.0314.65	65x23mm 19.9314.65
19.0314.70	70x23mm 19.9314.70
19.0314.75	75x23mm 19.9314.75



S.STEEL	TITANIUM
19.0320.50	50x25mm 19.9320.50
19.0320.60	60x25mm 19.9320.60



CASPAR
19.0340.00 complete
19.0340.01 without blades



CASPAR
19.0344.00 complete
19.0344.01 without blades



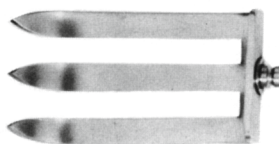
CASPAR
19.0350.50 50mm



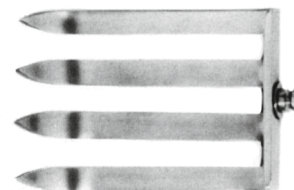
CASPAR
19.0350.70 70mm



- 19.0352.35 35x22mm
- 19.0352.40 40x22mm
- 19.0352.45 45x22mm
- 19.0352.50 50x22mm
- 19.0352.55 55x22mm
- 19.0352.60 60x22mm
- 19.0352.65 65x22mm
- 19.0352.70 70x22mm



- 19.0354.35 35x37mm
- 19.0354.40 40x37mm
- 19.0354.45 45x37mm
- 19.0354.50 50x37mm
- 19.0354.55 55x37mm
- 19.0354.60 60x37mm
- 19.0354.65 65x37mm
- 19.0354.70 70x37mm



- 19.0356.35 35x52mm
- 19.0356.40 40x52mm
- 19.0356.45 45x52mm
- 19.0356.50 50x52mm
- 19.0356.55 55x52mm
- 19.0356.60 60x52mm
- 19.0356.65 65x52mm
- 19.0356.70 70x52mm



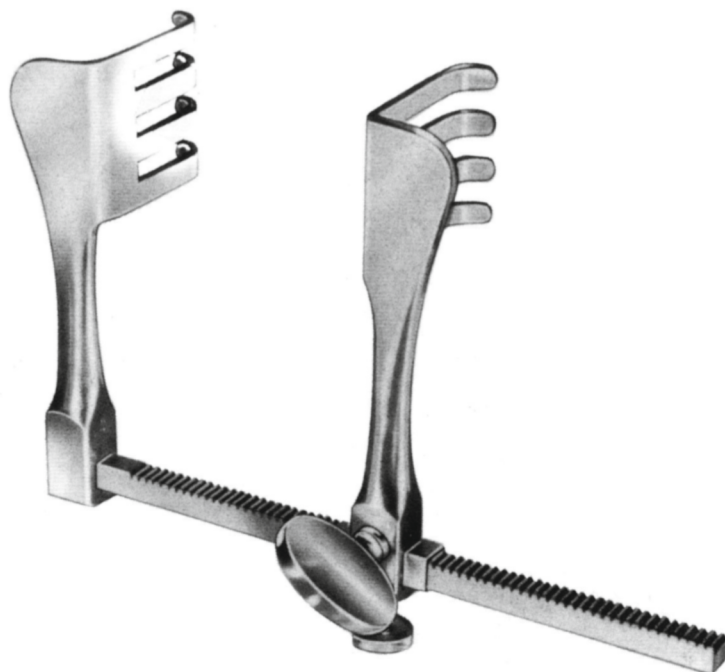
TEMPLE-FAY
19.0360.00
48x40x110mm



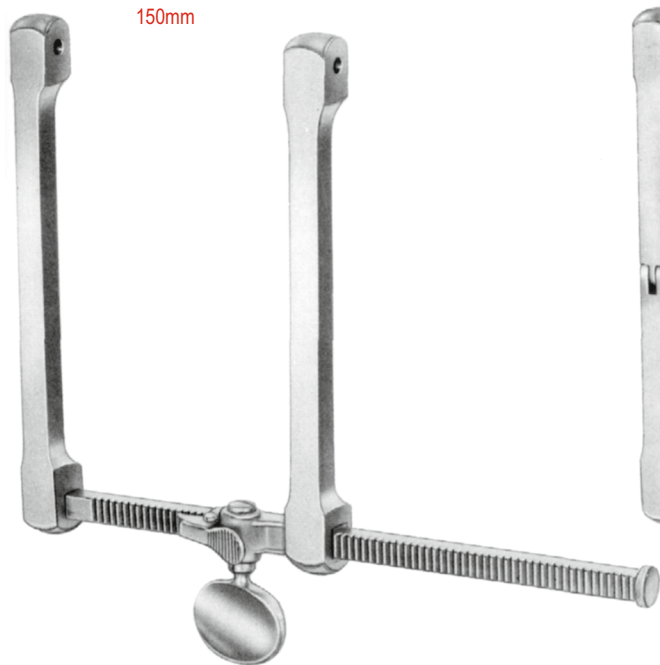
TEMPLE-FAY-ULRICH
19.0364.00

19.0364.01 45mm 19.0364.03 45mm
19.0364.02 60mm 19.0364.04 60mm

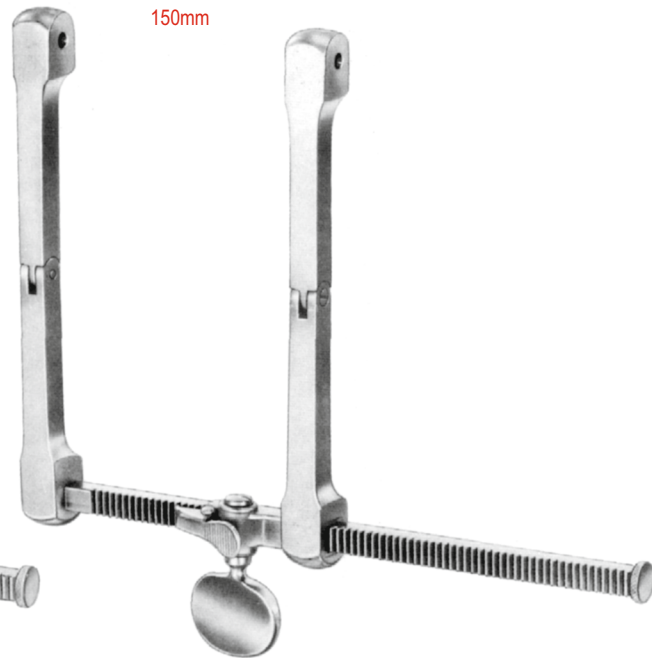
19.0364.05 60mm



BADGLEY
19.0370.00 55x44x165 mm
19.0372.00 60x44x165 mm



SCOVILLE
19.0380.00 frame only



SCOVILLE-HAVERFIELD
19.0382.00 frame only



SCOVILLE
19.0384.50
50mm



SCOVILLE
19.0384.70
70mm



SCOVILLE
19.0386.50
50mm



SCOVILLE
19.0386.70
70mm



SCOVILLE
19.0388.01 64x25mm
19.0388.02 64x50mm
19.0388.03 88x25mm



SCOVILLE
19.0390.01 41x38mm
19.0390.02 67x44mm



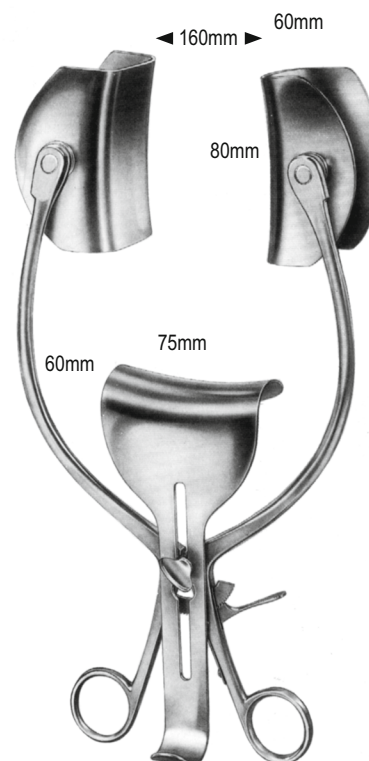
TAYLOR
19.0392.01 48x50mm
19.0392.02 64x50mm
19.0392.03 64x64mm
19.0392.04 80x57mm



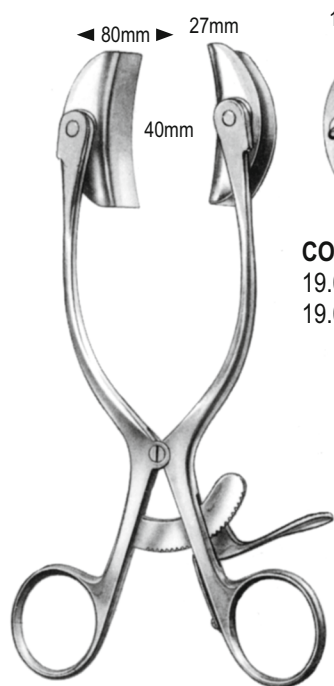
COLLIN
19.0400.00
with 1 pair of blades
38x60mm



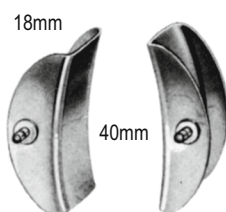
COLLIN
lateral blades
38x60mm 19.0402.00
38x80mm 19.0404.00
central blades
38x55mm
50x76mm



COLLIN
26.0cm
19.0406.00 complete
19.0406.01 central blade 60x75mm



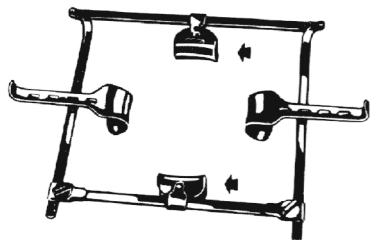
BABY-COLLIN
19.0410.00
complete set with 2 pairs of blades



COLLIN lateral blades
19.0410.18 18x40mm
19.0410.27 27x40mm



RICARD complete
19.0420.00 28.0cm
19.0422.00 30.0cm
sepreader only
19.0424.01
central blades
19.0426.01 55x70mm
19.0426.02 80x90mm
lateral blades
19.0430.40 50x58mm
19.0430.45 60x80mm
19.0430.60 72x85mm



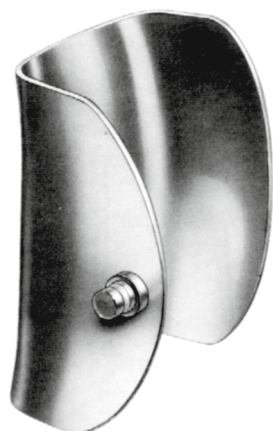
19.0430.45



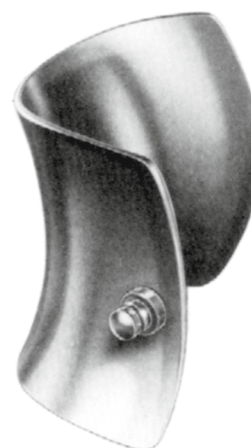
19.0410.00



19.0400.00



- 19.0428.50 18x40mm
- 19.0428.52 27x40mm
- 19.0428.70 38x60mm
- 19.0428.80 40x80mm
- 19.0428.90 45x80mm
- 19.0428.92 50x70mm
- 19.0428.94 60x80mm



- 19.0430.18 50x70mm
- 19.0430.27 52x110mm
- 19.0430.38 70x55mm
- 19.0430.39 80x90mm
- 19.0430.40 50x58mm
- 19.0430.45 60x80mm
- 19.0430.60 72x85mm



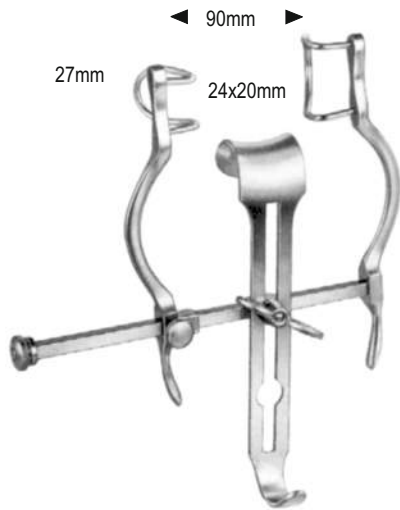
19.0402.00
19.0404.00



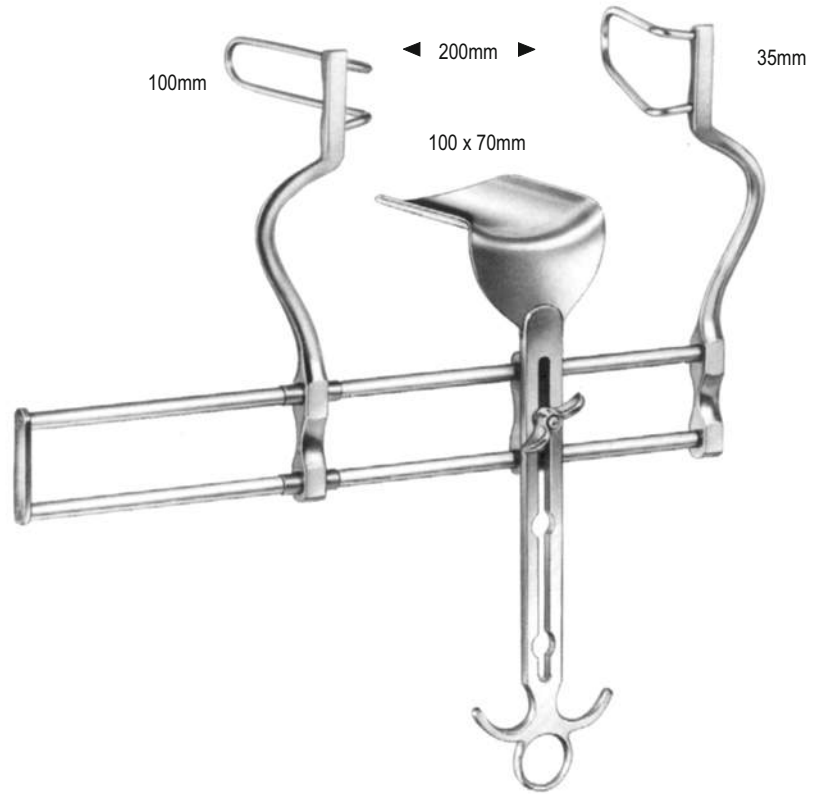
19.0406.00



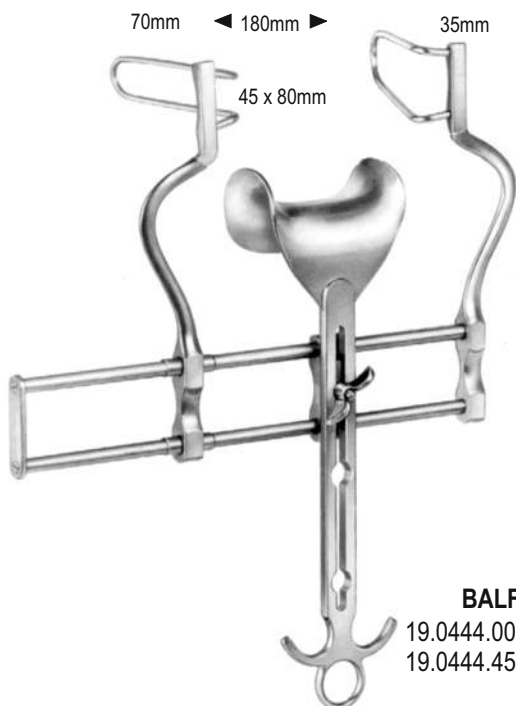
19.0420.00
19.0422.00



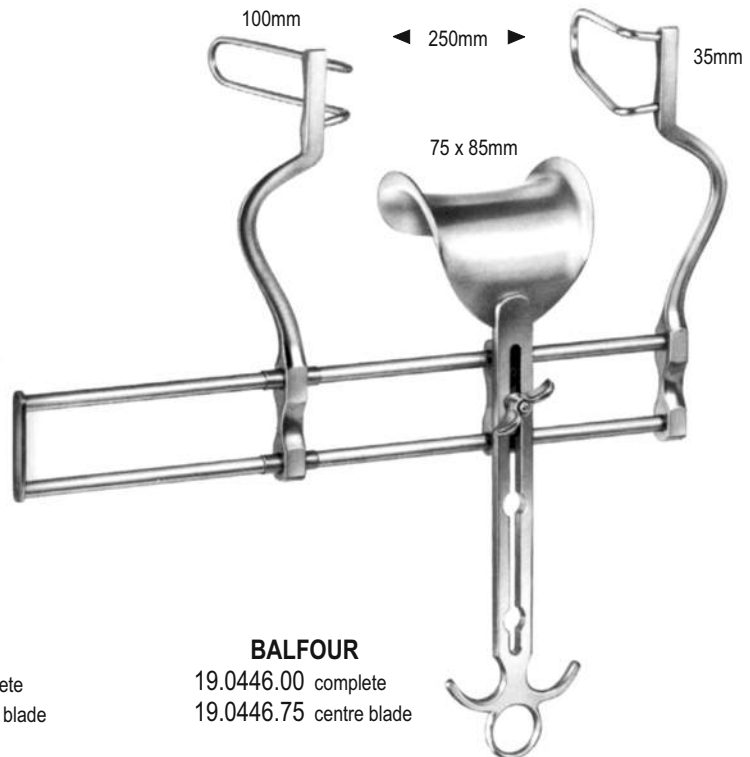
BALFOUR-BABY
19.0440.00 complete
19.0440.24 centre blade



BALFOUR
19.0442.00 complete
19.0442.10 centre blade



BALFOUR
19.0444.00 complete
19.0444.45 centre blade

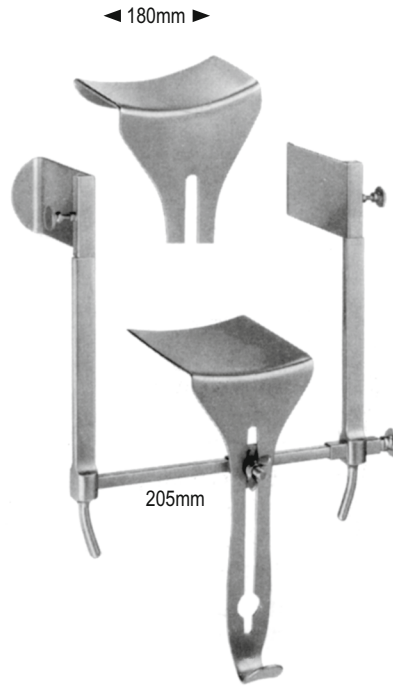


BALFOUR
19.0446.00 complete
19.0446.75 centre blade



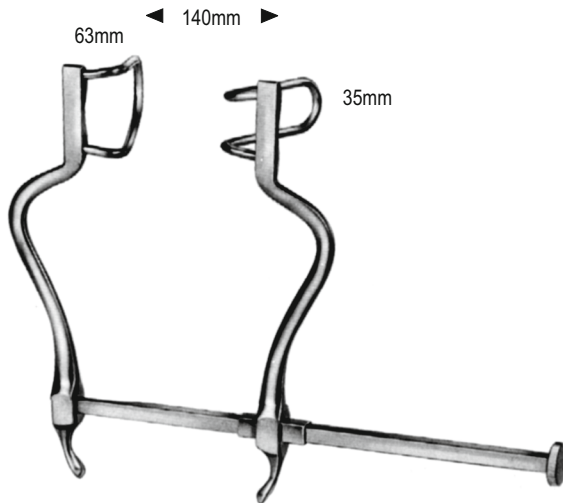
BERKELEY

- 19.0450.00 complete
- 19.0450.60 2 blades 60 x 35mm

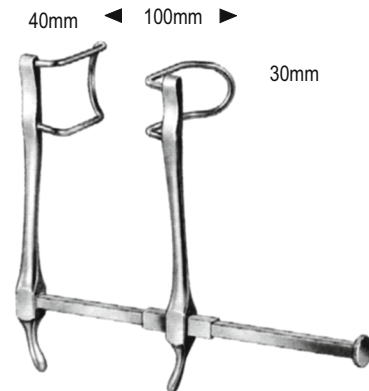


GOLIGHER

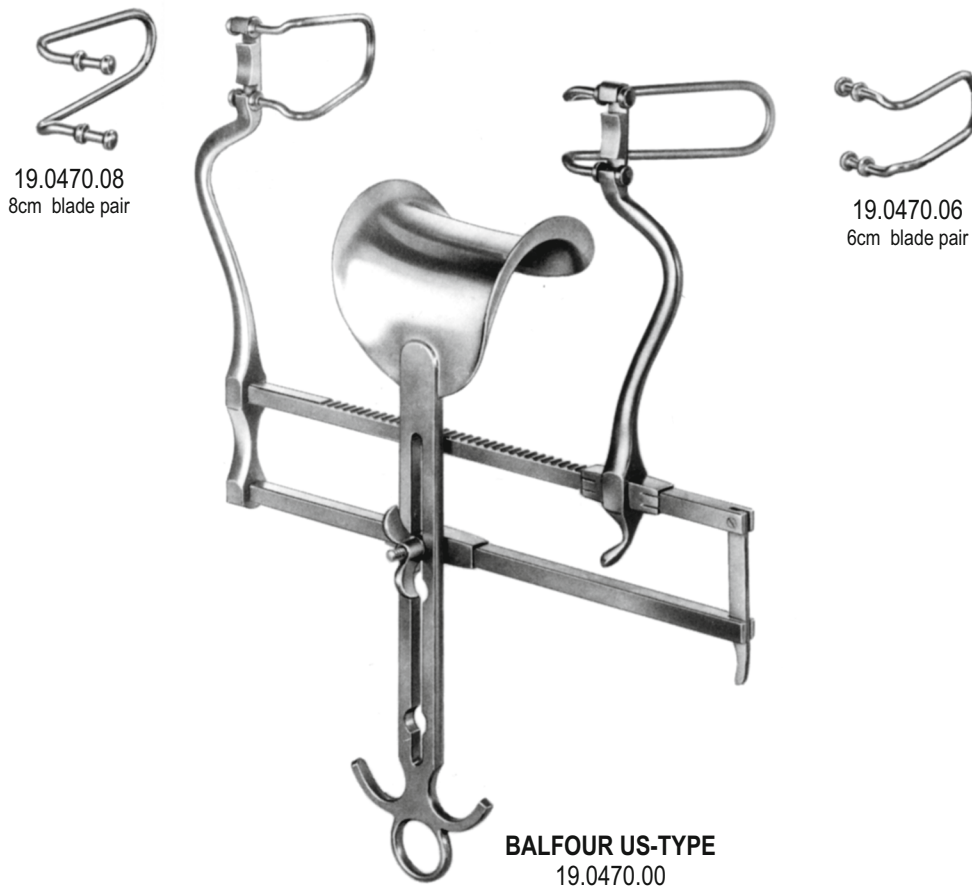
- 19.0454.00 complete
- 19.0454.51 1 centre blade 51mm deep
- 19.0454.10 1 pair lateral blades 51mm deep
- 19.0456.51 1 centre blade 102mm deep
- 19.0456.10 1 pair lateral blades 102mm deep

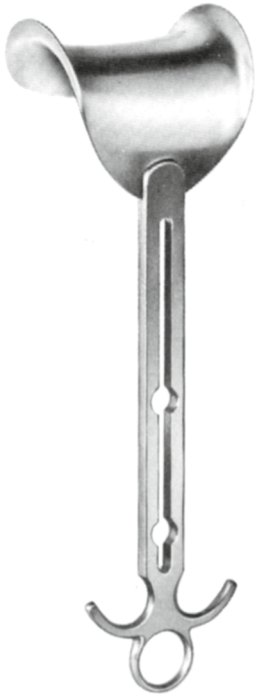


GOSSET
19.0460.00



GOSSET
19.0462.00





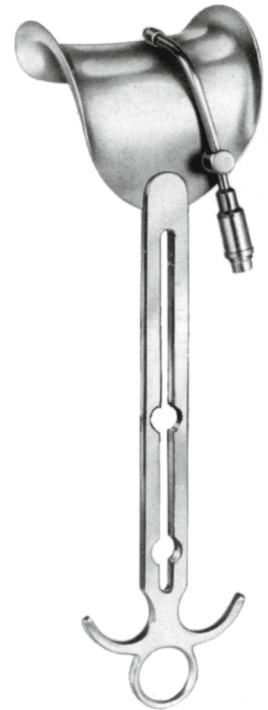
BALFOUR
19.0480.80 80x90mm



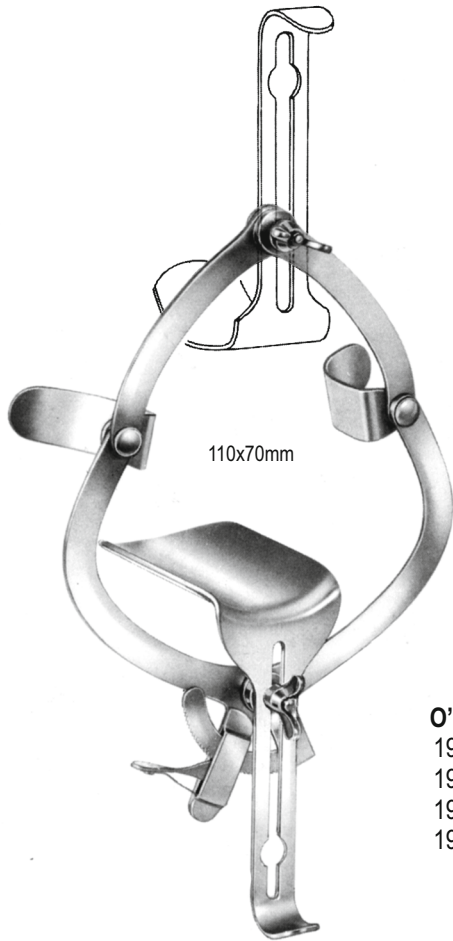
DOYEN
19.0482.95 55x95mm
19.0482.10 55x105mm
19.0482.11 55x115mm
19.0482.12 55x125mm



BALFOUR
19.04844.0 40x68mm
19.0484.68 68x85mm



BALFOUR
19.0486.68 68x85mm

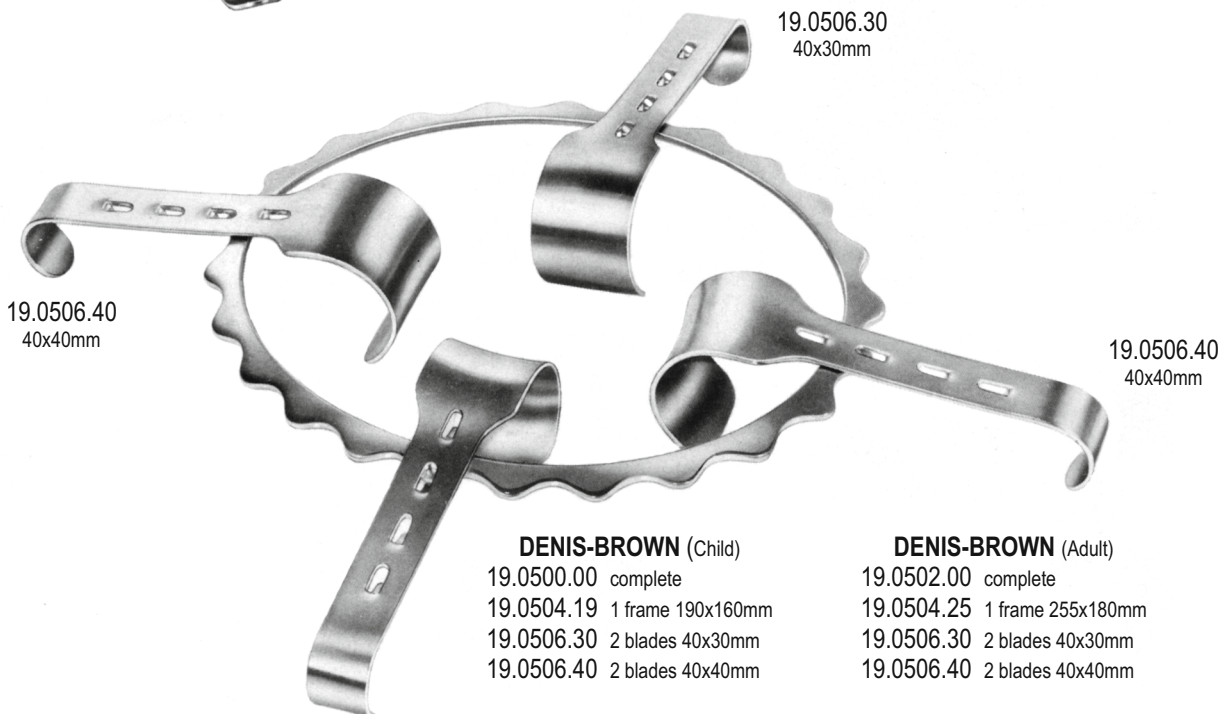


O'SULLIVAN-O'CONNOR

- 19.0490.00 set
- 19.0490.01 frame
- 19.0490.02 blade
- 19.0490.03 blade 110x70mm



19.0490.04
80x45mm



19.0506.40
40x40mm

19.0506.30
40x30mm

19.0506.40
40x40mm

DENIS-BROWN (Child)

- 19.0500.00 complete
- 19.0504.19 1 frame 190x160mm
- 19.0506.30 2 blades 40x30mm
- 19.0506.40 2 blades 40x40mm

DENIS-BROWN (Adult)

- 19.0502.00 complete
- 19.0504.25 1 frame 255x180mm
- 19.0506.30 2 blades 40x30mm
- 19.0506.40 2 blades 40x40mm

19.0506.30
40x30mm



19.0512.40
40x55mm

19.0512.50
50x65mm

19.0512.60
60x85mm

19.0512.78
78x65mm

19.0512.80
80x90mm

19.0512.98
98x50mm

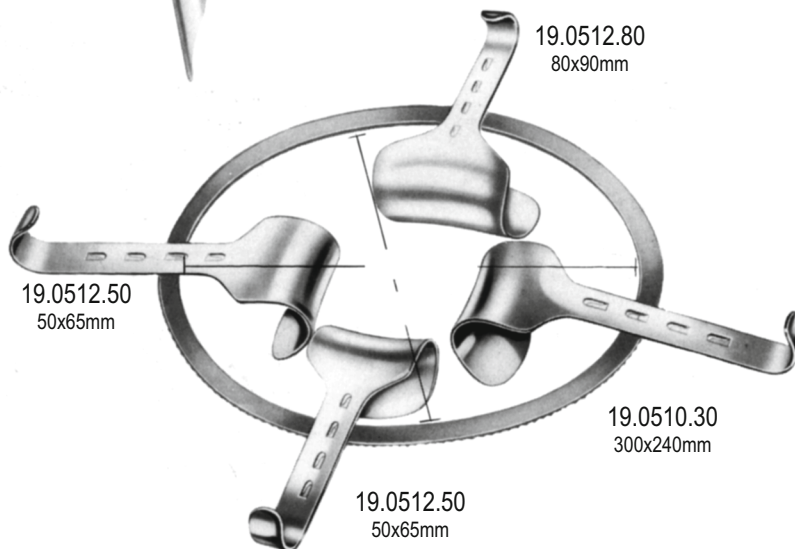
19.0512.99
105x35mm



19.0512.98
98x50mm



19.0512.99
105x35mm



19.0512.50
50x65mm

19.0512.80
80x90mm

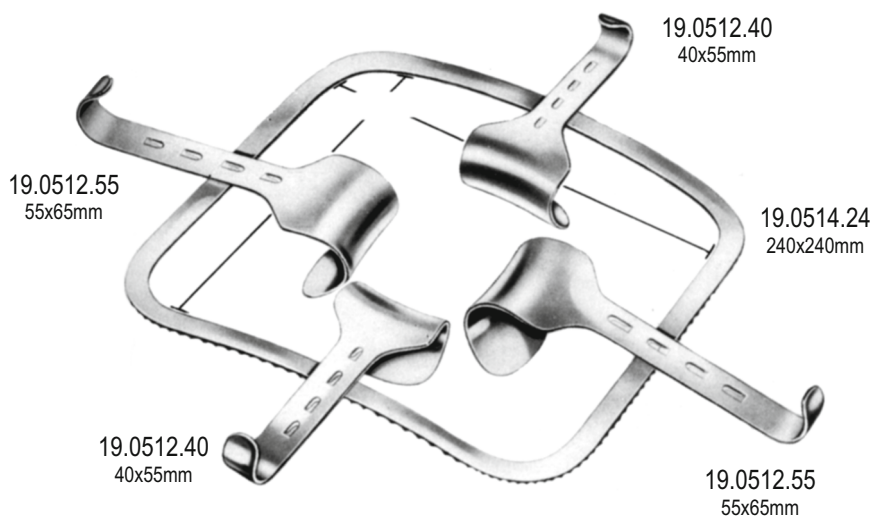
19.0512.50
50x65mm

19.0510.30
300x240mm

19.0512.50
50x65mm

KIRSCHNER, OVAL

- 19.0510.00 complete
- 19.0510.30 1 frame 300x240mm
- 19.0512.50 3 hook-on retractors, 50x65mm
- 19.0512.80 1 blade, 80x90mm
- 19.0512.98 1 blade, 98x50mm
- 19.0512.99 1 blade, 105x35mm



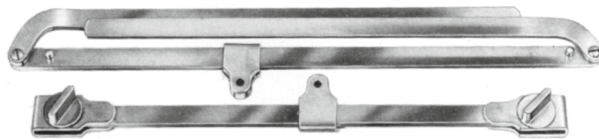
KIRCHNER

- 19.0514.00 complete
- 19.0514.24 1 frame, rigid, 240x240mm
- 19.0512.40 2 hook-on retractors, 40x55mm
- 19.0512.55 2 hook-on retractors, 55x65mm



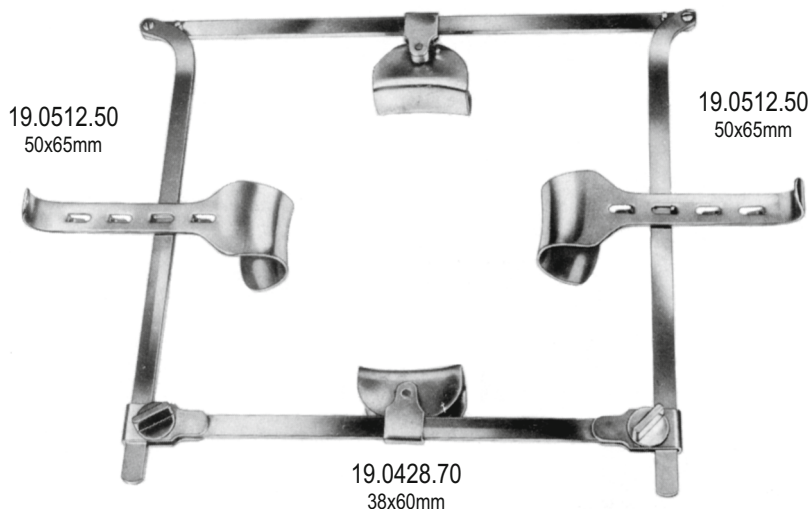
KIRCHNER

- 19.0516.00 complete
- 19.0516.28 1 folding frame, 280x280mm
- 19.0512.40 2 blades, 40x55mm
- 19.0512.50 2 blades, 50x65mm



FOLDING FRAME
19.0520.30 300x300mm

19.0428.70
38x60mm



19.0512.50
50x65mm

19.0512.50
50x65mm

19.0428.70
38x60mm

19.0428.90
45x80mm



19.0512.60
60x85mm

19.0512.60
60x85mm

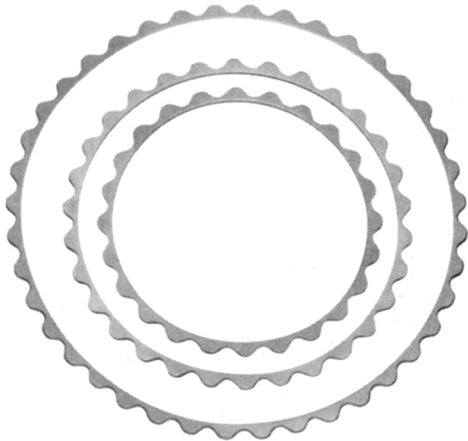
19.0428.90
45x80mm

FRANZ

- 19.0520.00 abdominal retractor, set folding complete consisting of;
- 19.0520.30 1 frame, folding 300x300mm
- 19.0428.70 2 exchangeable blades 38x60mm
- 19.0512.50 2 hook-on retractor 50x65mm

FRANZ

- 19.0522.00 abdominal retractor, set folding complete consisting of;
- 19.0520.30 1 frame, folding 300x300mm
- 19.0428.70 2 exchangeable blades 38x60mm
- 19.0528.90 2 exchangeable blades 45x80mm
- 19.0512.50 2 hook-on retractor 50x65mm
- 19.0512.60 2 hook-on retractor 60x85mm



TURNER-WARWICK
19.0530.18 18.5cm
19.0530.23 23.0cm
19.0530.30 30.0cm



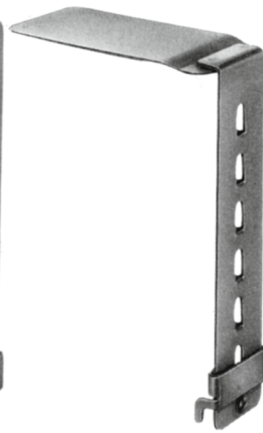
TURNER-WARWICK
19.0532.01
460x330mm

TURNER-WARWICK
19.0532.00 complete

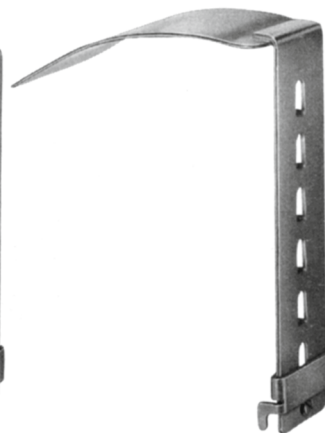


19.0534.01
75x20mm

19.0534.02
100x40mm



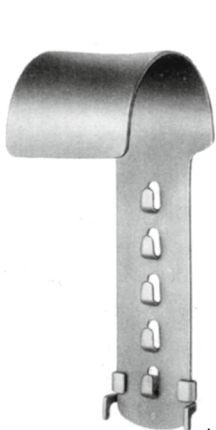
19.0534.03
90x58mm



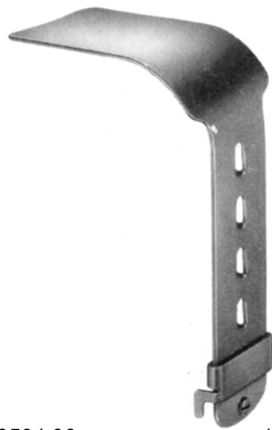
19.0534.04
115x58mm



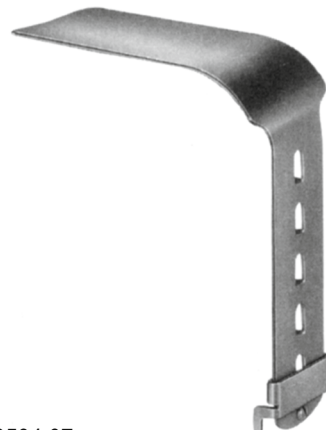
19.0534.05
50x40mm



19.0534.06
75x60mm



19.0534.07
90x60mm



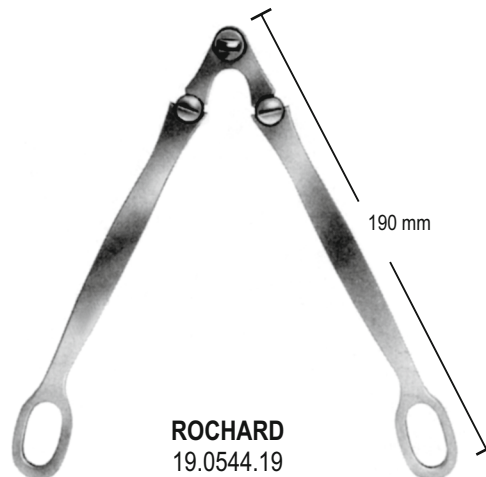
19.0534.08
114x60mm



19.0534.09
13mm (hook)

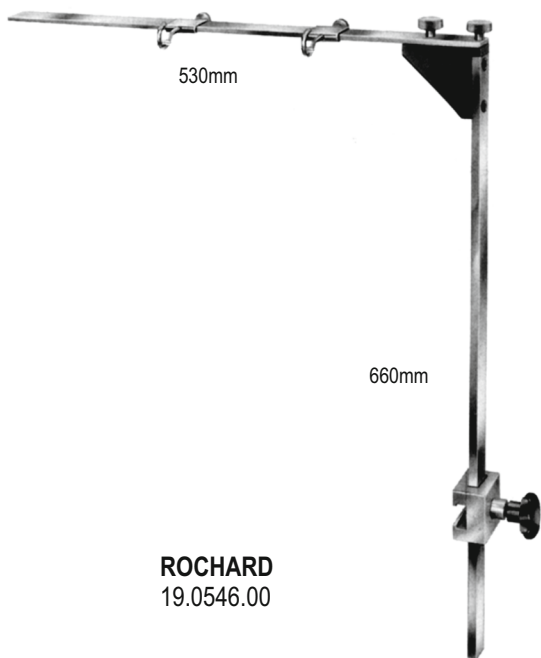


ROCHARD
310mm

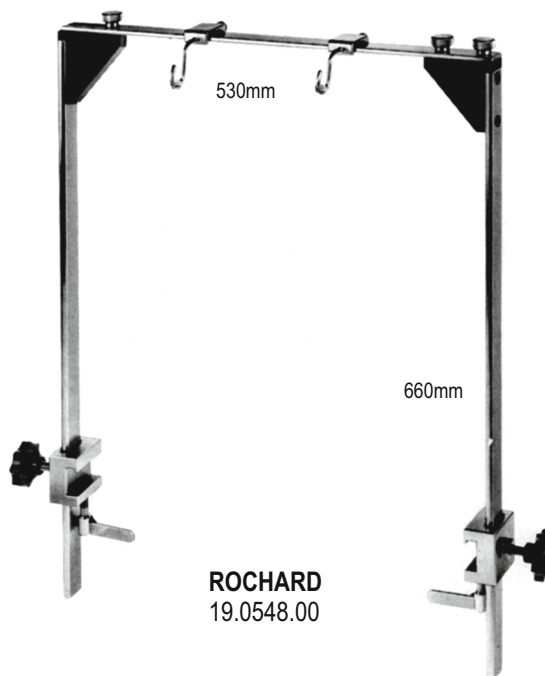


ROCHARD
19.0544.19

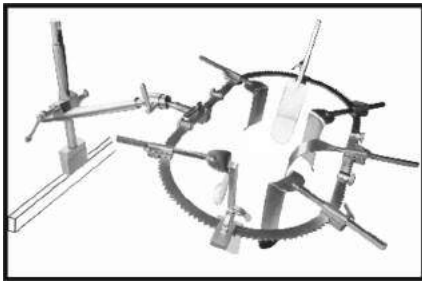
- | | | | |
|------------|----------|------------|-----------|
| 19.0540.01 | 48x90mm | 19.0540.08 | 80x155mm |
| 19.0540.02 | 48x105mm | 19.0540.09 | 100x100mm |
| 19.0540.03 | 48x120mm | 19.0540.10 | 100x105mm |
| 19.0540.04 | 48x135mm | 19.0540.11 | 100x120mm |
| 19.0540.05 | 48x155mm | 19.0540.12 | 100x155mm |
| 19.0540.06 | 80x105mm | 19.0540.13 | 150x150mm |
| 19.0540.07 | 80x120mm | | |



ROCHARD
19.0546.00



ROCHARD
19.0548.00



RETRACTORS, TABLE FIXED
HIL - RETRACTOR KIT II
19.0700.00

Retractor Malleable

19.0756.50 50 x 150mm

19.0756.38 38 x 150mm

19.0756.75 75 x 150mm



19.0800.25
Coupling Post
Ø25mm



19.0796.01
Retractor Ratchet
Mechanism (2 each)



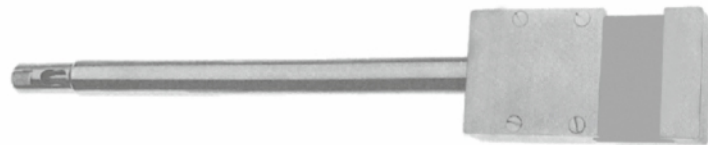
19.0798.01
Retractor Tilt Ratchet
Mechanism (6 each)



19.0786.36
Horizontal Bar



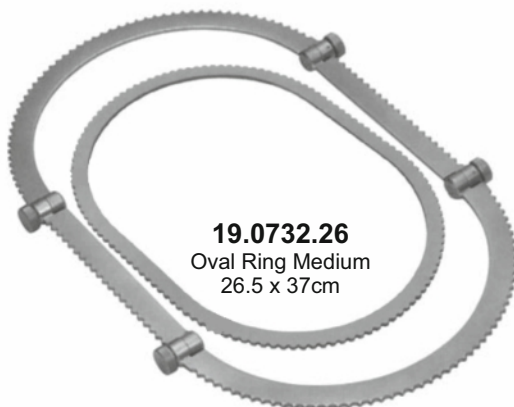
19.0784.36
Horizontal
Flex Bar 360°



19.0788.25
Retractor
Table Post Ø25mm



Gelpi Retractor Point
19.0754.01



19.0732.26
Oval Ring Medium
26.5 x 37cm

19.0734.26
Segmented Ring
Medium 26.5 x 49.5cm



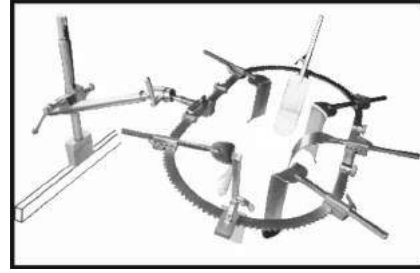
Kelly Retractors Blade
19.0740.03 50 x 75mm, 2" x 3" (2 ea)
19.0740.04 50 x 100mm, 2" x 4"
19.0740.05 50 x 125mm, 2" x 5"
19.0740.06 50 x 150mm, 2" x 6"



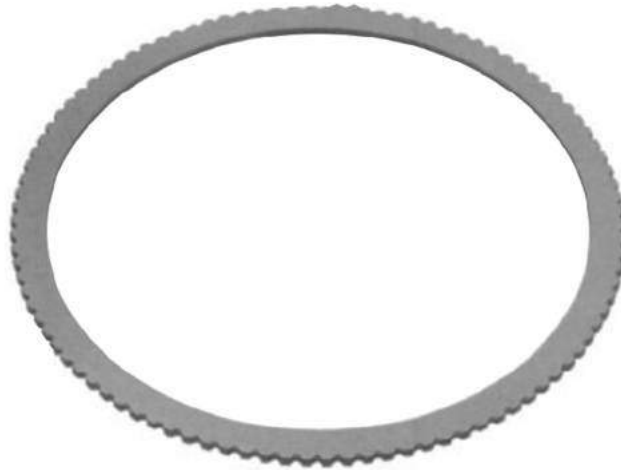
Harrington
Retractor Malleable
19.0746.63
63 x 143mm



Balfour Retractor
19.0760.67
67 x 75mm



RETRACTORS, TABLE FIXED
HIL - RECTAL KIT
19.0702.00



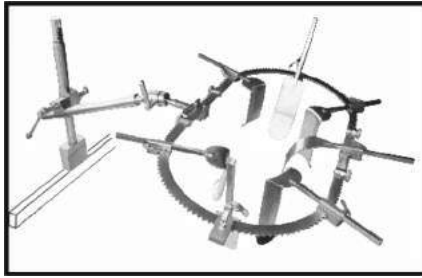
19.0730.21
Small Round Ring 216mm



19.0740.75
Rectal Blades Small (2 ea.)
22mm x 70mm



19.0748.10
Rectal Blades Large (2 ea.)
23mm x 100mm



RETRACTORS, TABLE FIXED
HIL - VAGINAL KIT

19.0704.00



19.0736.20
Vaginal Retractor
Ring 20cm x 26cm



19.0800.25
Coupling Post Ø25mm



19.0784.36
Horizontal
Flex Bar 360°



19.0798.01
Retractor Tilt Ratchet
Mechanism (4 each)



19.0788.25
Retractor
Table Post Ø25mm



19.0744.25
Magrina Lateral Blade
25 x 75mm (2 ea)



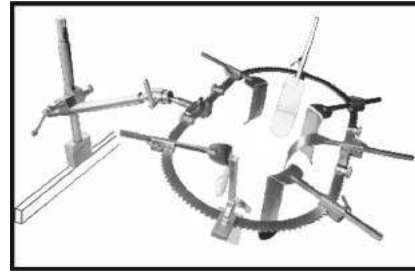
19.0762.01
Magrina Deaver Small
Blade 25 x 90mm



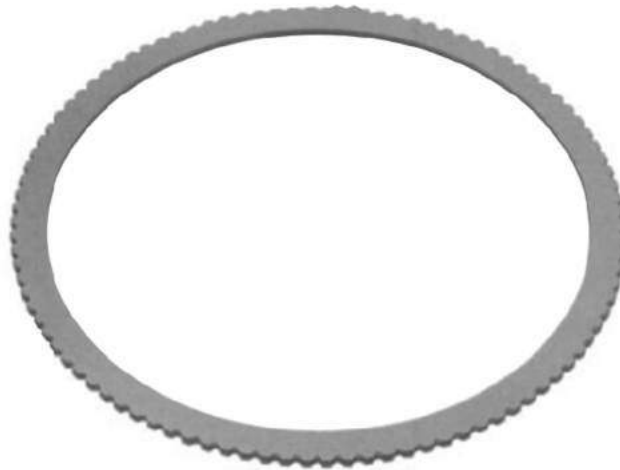
19.0762.02
Magrina Deaver Large
Blade 25 x 125mm



19.0750.25
Magrina Posterior Blade
25 x 11.5cm



RETRACTORS, TABLE FIXED
HIL- SMALL INCISION KIT
19.0706.00



19.0730.21
Round Ring Small 21.5cm



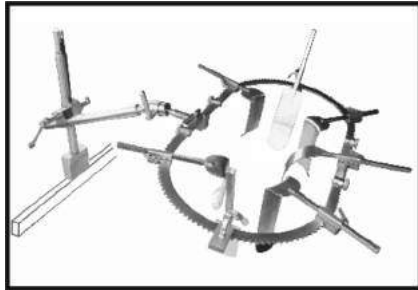
19.0740.01
Retractor Kelly
Blade 25 x 38mm



19.0740.02
Retractor Kelly
Blade 25 x 63mm



19.0754.01
Retractor
Gelpi Point



RETRACTORS, TABLE FIXED
HIL - IMA KIT
19.0708.00



19.0794.59
IMA Ratchet
Mechanism (2 each)



19.0786.36
Horizontal Bar



19.0800.25
Coupling Post
Ø25mm



19.0788.25
Retractor
Table Post Ø25mm



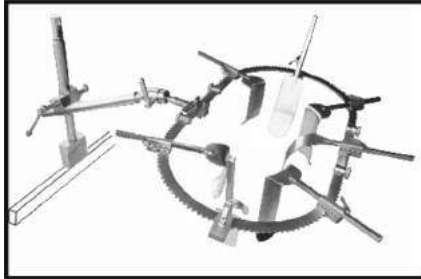
19.0780.30
IMA Cross
Bar 30cm



19.0752.30
IMA Retractor
Blade 30cm (2 each)

19

Комплект эндоскопических держателей Endoscopic Holder Kit



RETRACTORS, TABLE FIXED
HIL - ENDO HOLDER KIT
19.0710.00



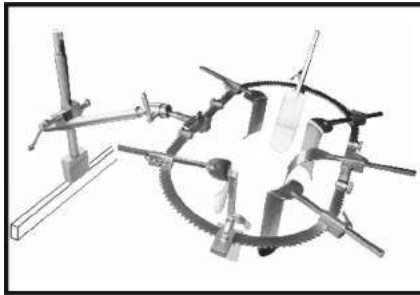
19.0792.01
Endoscopic
Instrument Holder



19.0800.25
Coupling Post Ø25mm



19.0788.25
Retractor
Table Post Ø25mm



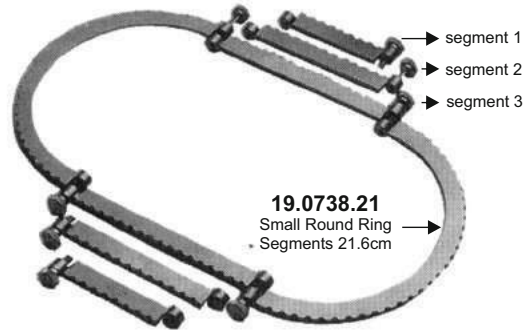
RETRACTORS, TABLE FIXED
HIL - SPINAL KIT
19.0712.00



19.0796.01
Retractor Ratchet
Mechanism (6 each)



19.0798.01
Retractor Tilt Ratchet
Mechanism (4 each)



19.0790.10 Straight Ring segment 1, 4" (1pair)
19.0790.15 Straight Ring segment 2, 6" (1pair)
19.0790.20 Straight Ring segment 3, 8" (1pair)



19.0764.50
Scoville Hook
Retractor Small 50cm
(1pair)



19.0764.83
Scoville Hook
Retractor Large 83cm
(1pair)



19.0800.25
Coupling
Post Ø25mm



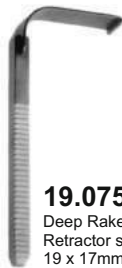
19.0742.01
MEYERDING
Retractor,
small (1pair)



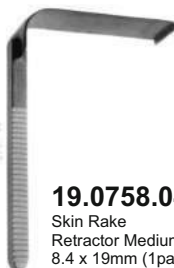
19.0742.02
MEYERDING
Retractor,
Medium (1pair)



19.0742.03
MEYERDING
Retractor,
large (1pair)



19.0758.03
Deep Rake
Retractor small
19 x 17mm (1pair)



19.0758.04
Skin Rake
Retractor Medium
8.4 x 19mm (1pair)



19.0758.06
Skin Rake
Retractor Large
8.4 x 25mm (1pair)



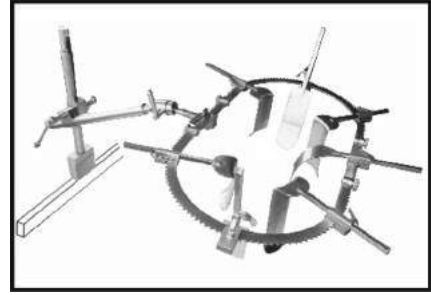
19.0788.25
Retractor
Table Post
Ø25mm



19.0784.36
Horizontal
Flex Bar 360°

19

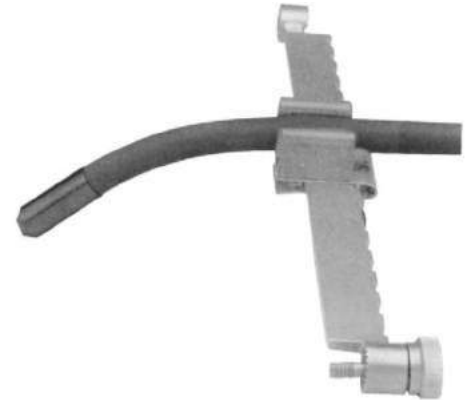
КОМПОНЕНТ С ОПТОВОЛОКОННЫМ СВЕТОВОДОМ Fiberoptic Light. Retractors Components



RETRACTORS, TABLE FIXED
HIL - Fiberoptic Light Set.
19.0714.00

Clip is designed to fit securely to any **HIL - Ring**. Fiberoptic Light Cable can be directed specifically where illumination is required. Cable has 5mm fiberoptic bundle ACMI/AFI male end fitting.

- 19.0714.01** HIL - CABRERA
Fiberoptic Clip
- 19.0714.02** Fiberoptic Light



RETRACTORS, TABLE FIXED **HIL - Components**



19.0800.25
Coupling Post
Ø25mm



19.0796.01
Retractor Ratchet
Mechanism (2 each)



19.0798.01
Retractor Tilt Ratchet
Mechanism (6 each)



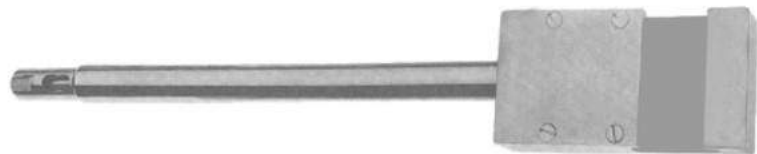
19.0782.30
Vertical Extension Bar
30.5cm



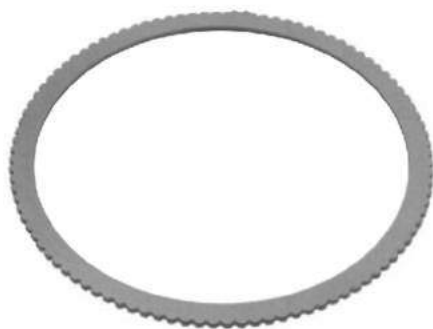
19.0786.36
Horizontal Bar



19.0784.36
Horizontal
Flex Bar 360°

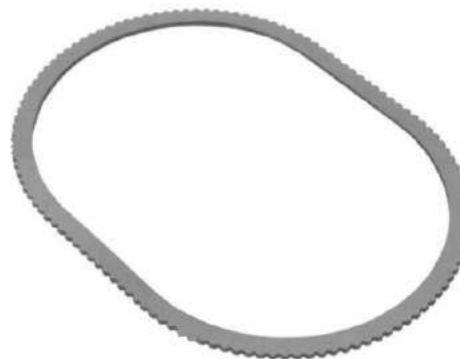


19.0788.25
Retractor
Table Post Ø25mm



ROUND RING

- 19.0730.21** 21.5cm small
- 19.0730.26** 26.5cm medium
- 19.0730.31** 31.5cm large



OVAL RING

- 19.0732.20** 20x31cm small
- 19.0732.26** 26.5x37cm medium
- 19.0732.30** 30x47cm large



SEGMENTED RING

- 19.0734.21** 21.5x35.5cm small
- 19.0734.26** 26.5x49.5cm medium
- 19.0734.31** 31.7x49.5cm large



SEGMENTED RING

- 19.0735.21** small
- 19.0735.26** medium
- 19.0735.31** large

19

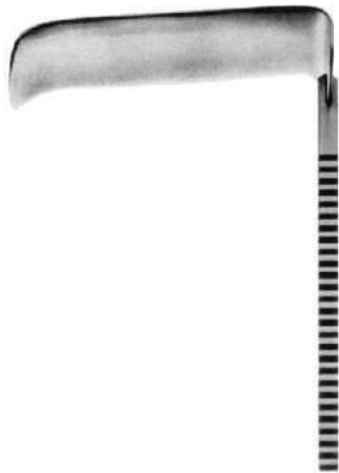
Кольца ранорасширителя Retractor Rings



MAGRINA VAGINAL RING
19.0736.20 20x26cm



Round Ring Segments
19.0738.21 21.6cm Small
19.0738.26 26.5cm Medium



Retractor Kelly Blade

- 19.0740.01 25x38 mm
- 19.0740.02 25x63 mm
- 19.0740.03 50x75 mm
- 19.0740.04 50x100mm
- 19.0740.05 50x125mm
- 19.0740.06 50x150mm
- 19.0740.07 51x38 mm
- 19.0740.08 51x51 mm



Meyerding Retractor

- 19.0742.01 60x17mm small
- 19.0742.02 85x25mm medium
- 19.0742.03 95x50mm large



Vaginal Lateral Blade

- 19.0744.25 25x75mm



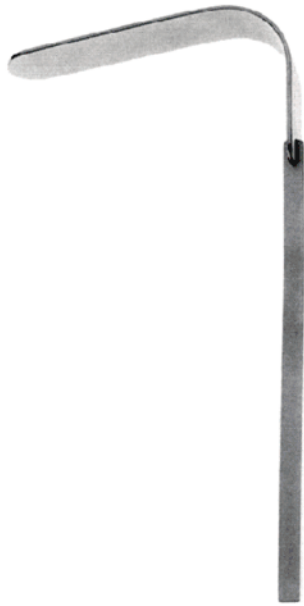
Retractor Harrington

- 19.0746.63 63x130mm

19 | Зеркала ранорасширителя Retractor Blades



Retractor Rectal Blade
19.0748.75 22x75mm
19.0748.10 22x100mm



Magrina Posterior Blade
19.0750.25 25x11.5cm



IMA Retractor Blade
19.0752.30 30cm



Retractor Gelpi Point
19.0754.01



Retractor Malleable Blades
19.0756.38 38x150mm
19.0756.50 50x150mm
19.0756.75 75x150mm



Rake Retractor Blades
19.0758.03 19x17mm
small 3pr.
19.0758.04 8.4x19mm
Medium 4pr.
19.0758.06 8.4x25mm
Large 6pr.



Retractor Balfour
19.0760.67 67x75mm



Magrina Deaver Blad
19.0762.01 25x90mm
19.0762.02 25x125mm



Scoville Hook Retractor
19.0764.50 50cm small
19.0764.83 83cm large



Richardson Blade
19.0766.00 set
19.0766.01 19x25mm
19.0766.02 19x50mm
19.0766.03 25x30mm

19

Горизонтальные и вертикальные стойки Horizontal & Vertical Bars



IMA Cross Bar
19.0780.30 30cm



Vertical Extension Bar
19.0782.30 30.5cm



Retractor Horizontal Flex Bar
19.0784.36 360°



Horizontal Bar
19.0786.36 36.5cm



Retractor Table Post
19.0788.25 25mm



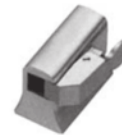
Straight Ring Segments
19.0790.10 10cm pair
19.0790.15 15cm pair
19.0790.20 20cm pair



Endoscopic Instrument Holder
19.0792.01



IMA Ratchet Mechanism
19.0794.01



Retractor Ratchet Mechanism
19.0796.01



Retractor Tilt Ratchet Mechanism
19.0798.01



Coupling Post
19.0800.25 25mm

19.0620.01

Ball and socket joint, articulated

19.0620.02

Holding rod for fixation

19.0620.03

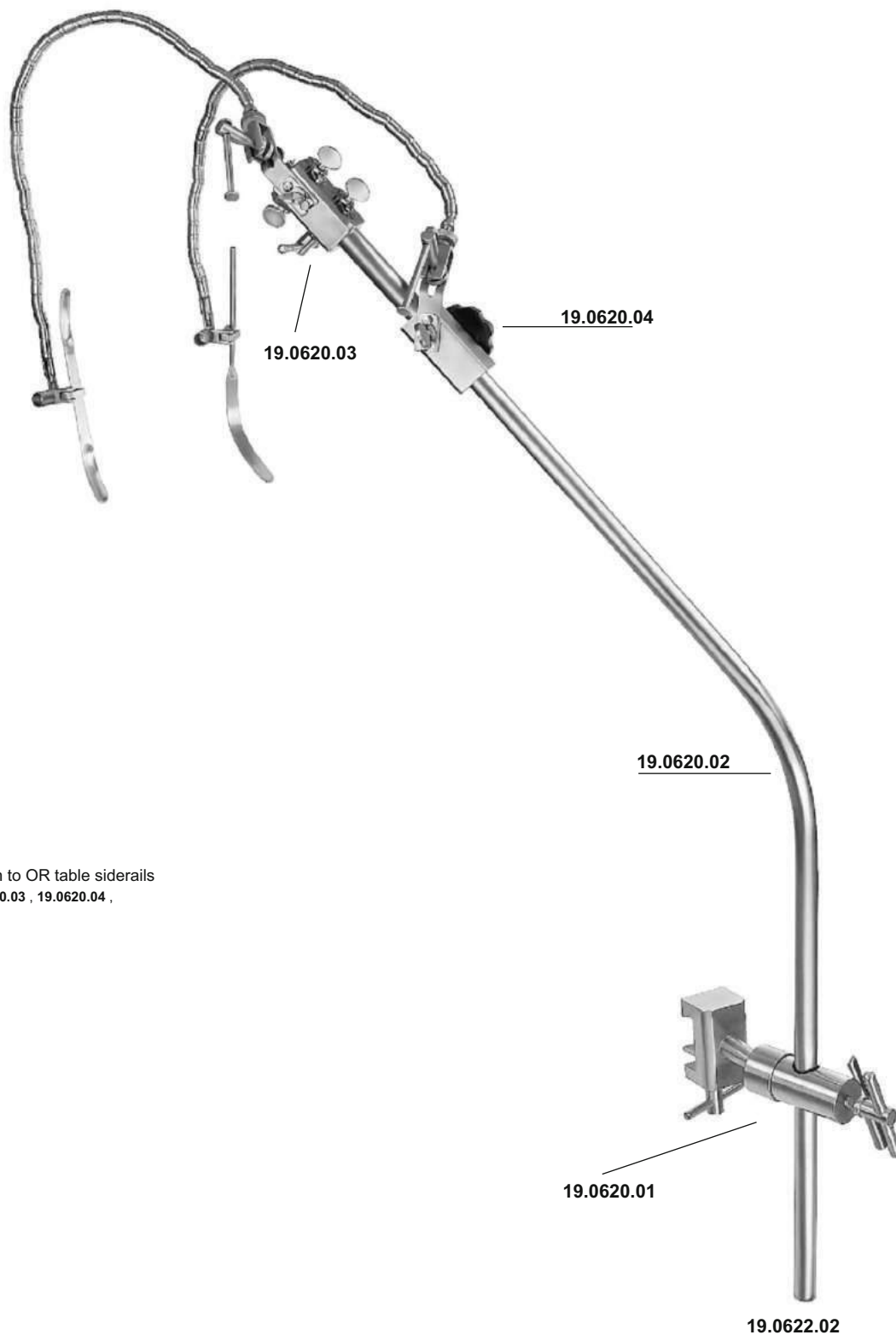
Coupling head for 5 flexible arms max.

19.0620.04

Coupling head rotatable

19.0622.02

LEYLA retractor Set 2 (2 Arms) for fixation to OR table siderails
consisting of: 19.0620.01, 19.0620.02, 19.0620.03, 19.0620.04,
2 x 19.0620.07, 2 x 19.0620.08, 2 x 19.0620.09



19.0620.01

Ball and socket joint, articulated

19.0620.02

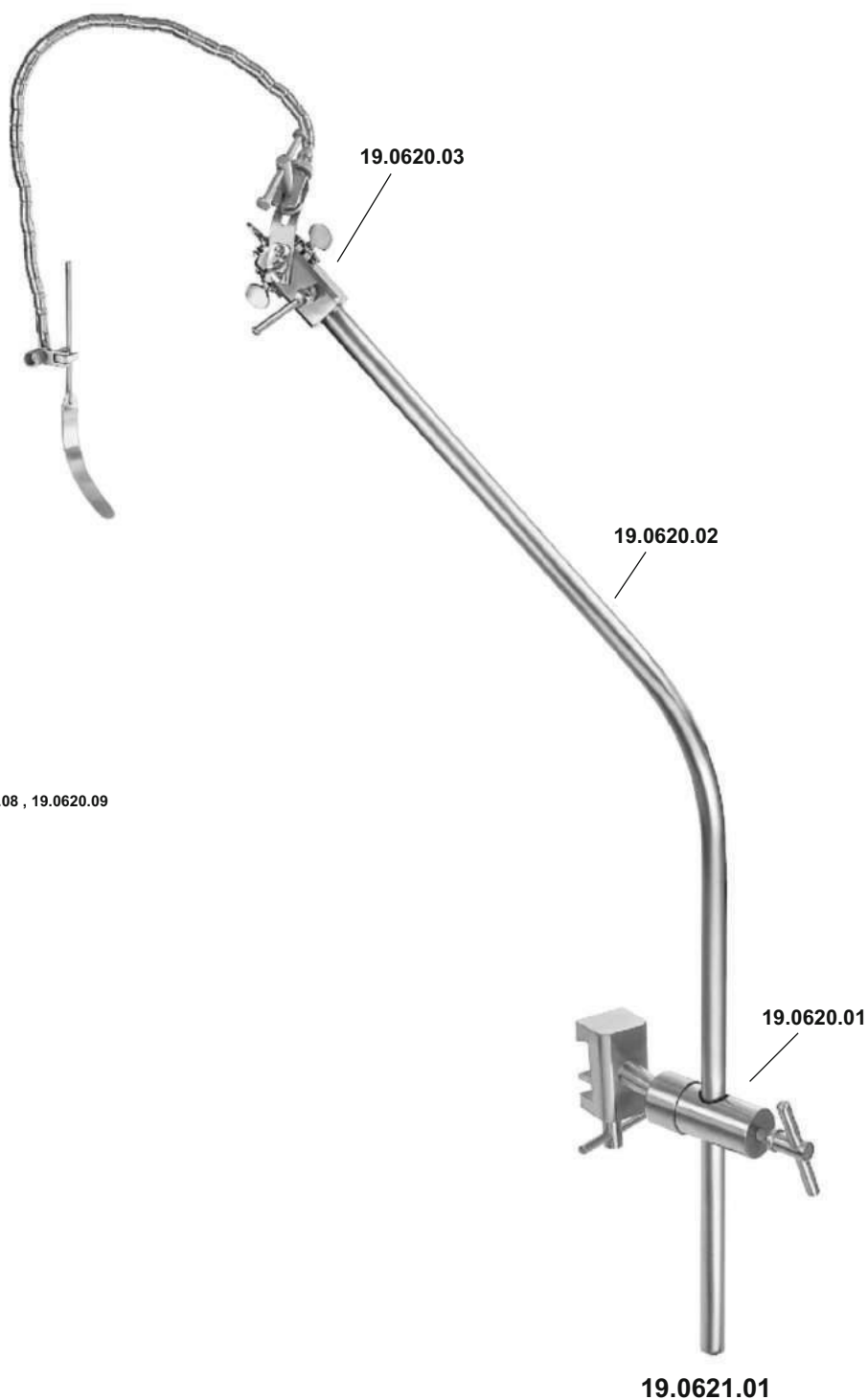
Holding rod for fixation

19.0620.03

Coupling head for 5 flexible arms max.

19.0621.01

LEYLA retractor Set 1 (1 Arm)
for fixation to OR table siderails
consisting of: 19.0620.01 , 19.0620.02 , 19.0620.03 , 19.0620.08 , 19.0620.09



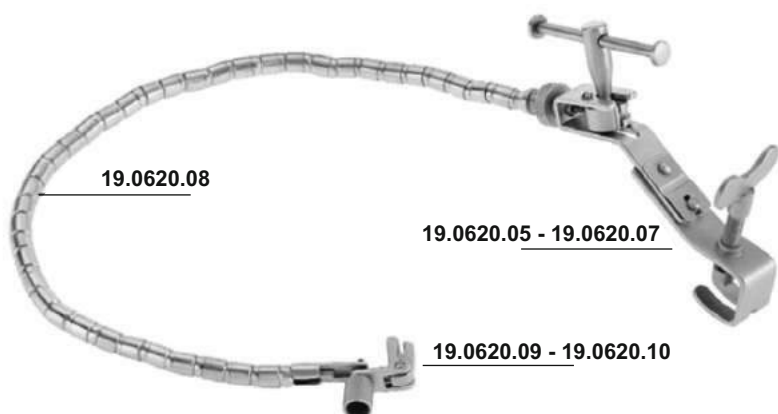
19

 | Системы фиксации по Leyla
Leyla Fixation System**19.0621.00**

Brain retractor, self retaining, flexible,
for flat spatula,
with 1 flexible arm, complete, consisting of:
19.0620.05 , 19.0620.08 , 19.0620.09

**19.0622.00**

Brain retractor, self retaining, flexible,
for flat spatula,
with 2 flexible arms, complete, consisting of:
19.0620.06 , 2 x 19.0620.08 , 2 x 19.0620.09



19.0620.08

19.0620.05 - 19.0620.07

19.0620.09 - 19.0620.10

19.0620.08

19.0620.05, 19.0620.06, 19.0620.07
Fixation bases for skull or rigid holding arm



19.0620.05

19.0620.05
Fixation base for 1 arm at skull



19.0620.12
Ear specula holder only



19.0620.06

19.0620.06
Fixation base for 2 arms at skull



19.0620.09
Holder for flat brain spatula



19.0620.07

19.0620.07
Fixation base for 1 arm at rigid arm



19.0620.10
Holder for brain spatula with round stem





malleable

CUSHING

30.0312.07	7/9 x 180 mm
30.0312.11	11/13 x 180 mm
30.0312.15	15/18 x 180 mm
30.0312.18	18/22 x 180 mm



convex

OLIVECRONA

30.0312.07	7/9 x 180 mm
30.0312.11	11/13 x 180 mm
30.0312.15	15/18 x 180 mm
30.0312.18	18/22 x 180 mm



concave

OLIVECRONA

30.0312.07	7/9 x 180 mm
30.0312.11	11/13 x 180 mm
30.0312.15	15/18 x 180 mm
30.0312.18	18/22 x 180 mm



malleable

SCOVILLE

30.0356.10	10/13 x 200 mm
30.0356.16	16/19 x 200 mm



malleable

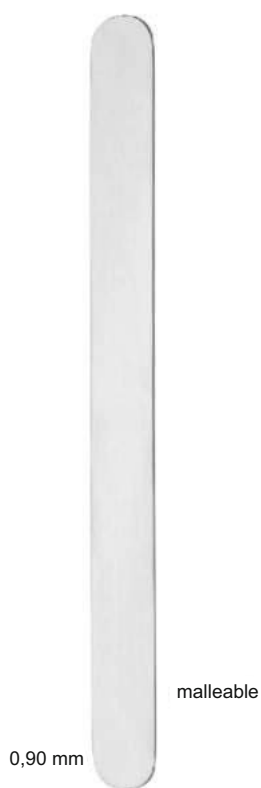
AACHEN

30.0352.07	7/8 x 200 mm
30.0352.10	10/11 x 200 mm
30.0352.13	13/14 x 200 mm
30.0352.16	16/17 x 200 mm
30.0352.19	19/20 x 200 mm
30.0352.22	22/25 x 200 mm

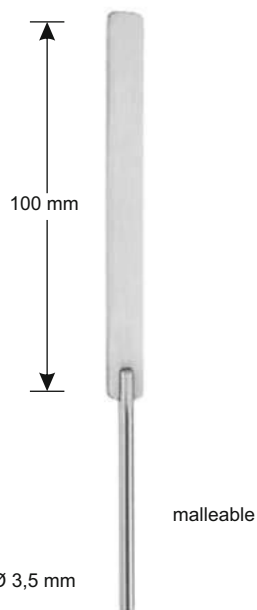


malleable

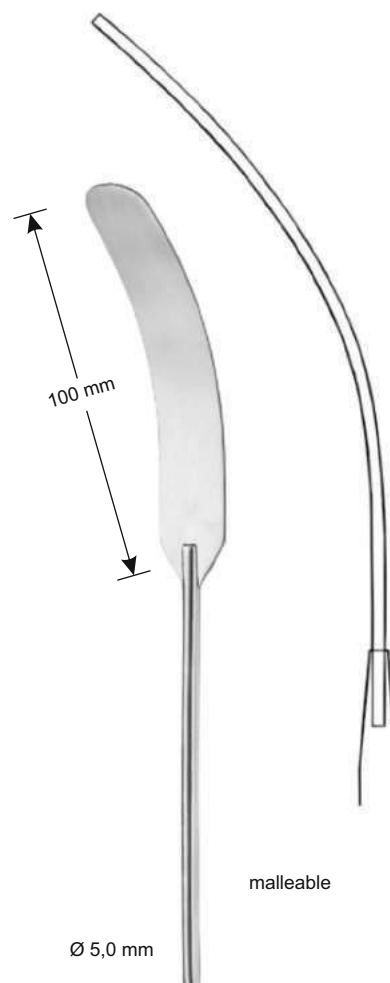
30.0354.01	9 x 200 mm
30.0354.02	12 x 200 mm
30.0354.03	12 x 250 mm



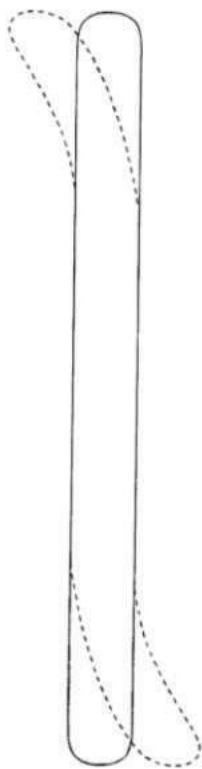
CAIRNS	
30.0348.06	6 x 200 mm
30.0348.08	8 x 200 mm
30.0348.10	10 x 200 mm
30.0348.11	11 x 200 mm
30.0348.13	13 x 200 mm
30.0348.16	16 x 200 mm
30.0348.19	19 x 200 mm
30.0348.25	25 x 200 mm



HEIFETZ	
30.0342.08	8 x 155 mm
30.0342.11	11 x 155 mm
30.0342.14	14 x 155 mm
30.0342.17	17 x 155 mm



HEIFETZ	
30.0340.08	8 x 200 mm
30.0340.11	11 x 200 mm
30.0340.14	14 x 200 mm
30.0340.17	17 x 200 mm
30.0340.20	20 x 200 mm



malleable

RIBBON

18.0680.06	6 x 200 mm
18.0680.07	7 x 200 mm
18.0680.09	9 x 200 mm
18.0680.12	12 x 200 mm
18.0680.17	17 x 200 mm
18.0680.20	20 x 200 mm
18.0680.24	25 x 200 mm
18.0680.25	25 x 250 mm



malleable

RIBBON

18.0670.13	13 x 330 mm
18.0670.19	19 x 330 mm
18.0670.25	25 x 330 mm
18.0670.30	30 x 330 mm
18.0670.32	32 x 330 mm
18.0670.40	40 x 330 mm
18.0670.45	45 x 330 mm
18.0670.50	50 x 330 mm
18.0670.64	64 x 330 mm
18.0670.75	75 x 330 mm



malleable, very soft

MARTIN

18.0682.06	6,5 x 200 mm
18.0682.09	9,5 x 200 mm
18.0682.13	13 x 200 mm
18.0682.16	16 x 200 mm
18.0682.19	19 x 200 mm
18.0682.25	25 x 200 mm