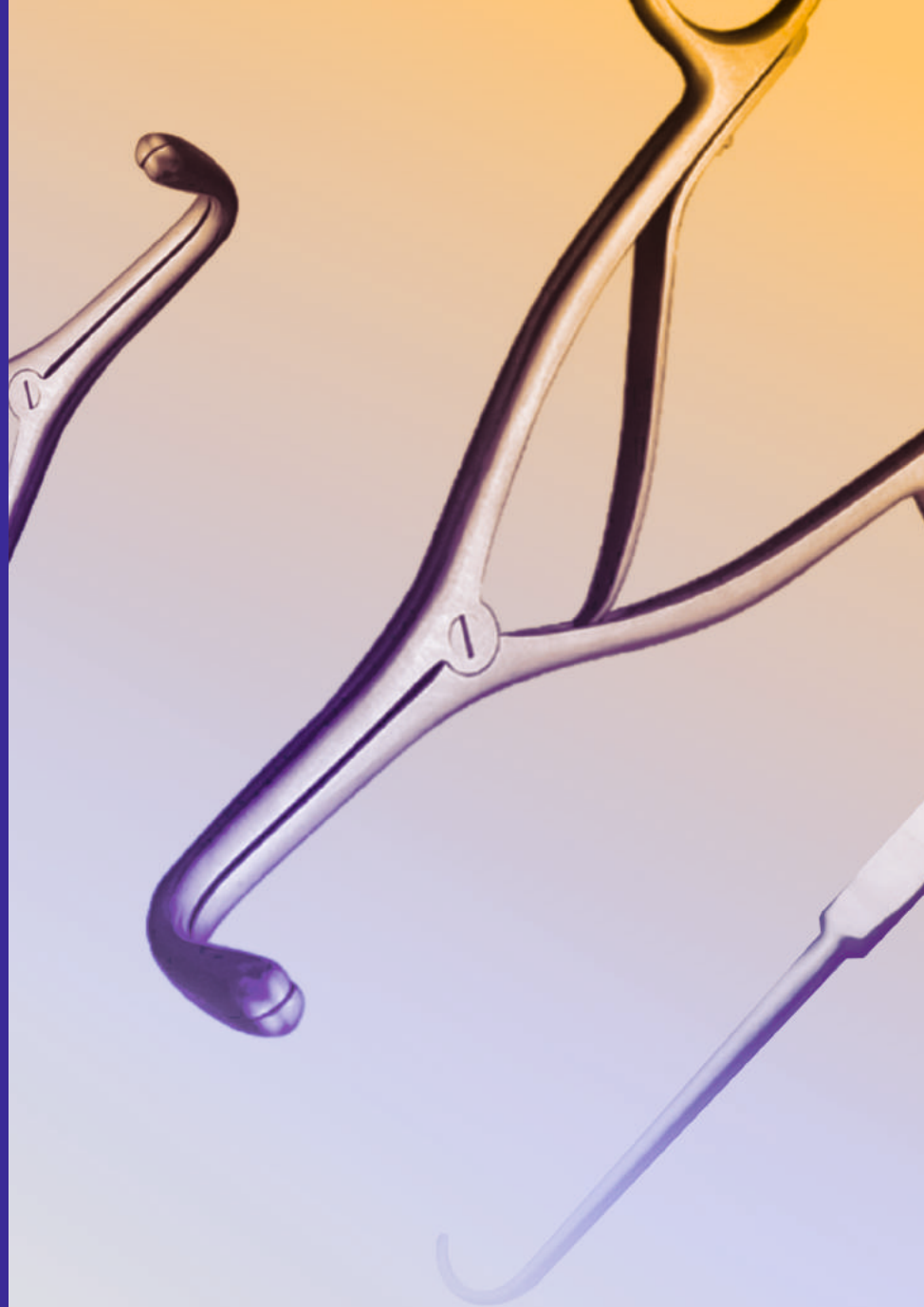


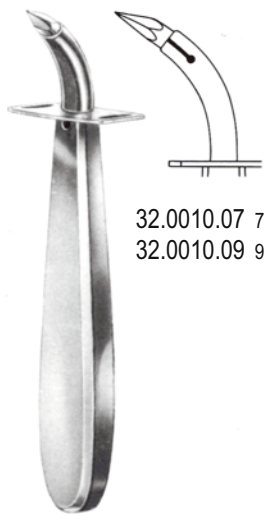
32

Страницы раздела
001-010

ТРАХЕОТОМИЯ TRACHEOTOMY

Перейти в **СОДЕРЖАНИЕ**





UCKERMANN
13.0cm



32.0010.07 7.5mm Ø
32.0010.09 9mm Ø



TROUSSEAU
32.0020.12 12.0cm
32.0020.14 14.0cm



LABORDE
32.0022.14 14.0cm



WEERDA
32.0026.19 19.0cm



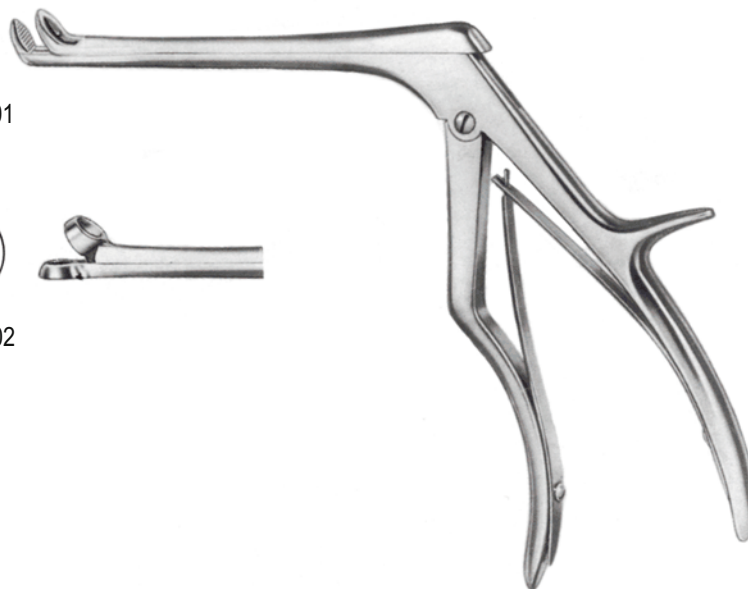
BOSE
32.0030.07 7.0cm



32.0040.01



32.0040.02



32.0040.01 - 32.0040.02



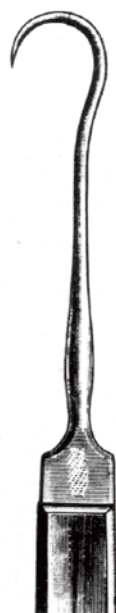
LUKENS
32.0050.17 17.0cm



JACKSON
32.0054.17 17.0cm



JACKSON
sharp blunt
32.0060.18 18.0cm 32.0062.18



32.0070.18 sharp
32.0072.18 blunt
18.0cm



32.0076.18 sharp
32.0078.18 blunt
18.0cm



SCHOENBORN
32.0080.21 21.0cm



ROSE
32.0090.13 13.0cm



LUER
32.0094.11 11.0cm



JACKSON
32.0100.15 15.0cm



32.0106.15 15.0cm



ITERSON
16.0cm



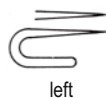
32.0110.16



32.0112.16



BOSE
32.0120.16 16.0cm



left



BOSE
32.0122.16 16.0cm



right

International scale

Fig.	0	1	2	3	4	5	6	7	8	9
Diameter	④	⑤	⑥	⑦	⑧	⑨	⑩	⑪	⑫	⑬mm
Length of outer tube N	45	50	55	60	65	70	75	80	85	90mm



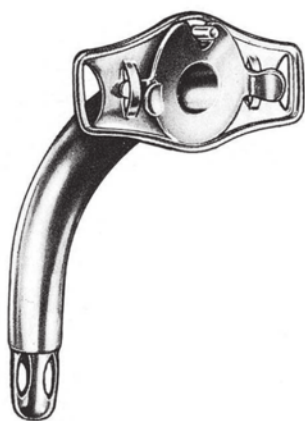
LUER

Fig	mmØ	45-90mm	95mm	105mm
0	4	32.0130.04		
1	5	32.0130.05		
2	6	32.0130.06		
3	7	32.0130.07		
4	8	32.0130.08	32.0132.08	32.0134.08
5	9	32.0130.09	32.0132.09	32.0134.09
6	10	32.0130.10	32.0132.10	32.0134.10
7	11	32.0130.11	32.0132.11	32.0134.11
8	12	32.0130.12	32.0132.12	32.0134.12
9	13	32.0130.13	32.0132.13	32.0134.13



CHEVALIER-JACKSON

Fig	mmØ	45-90mm
0	4	32.0140.04
1	5	32.0140.05
2	6	32.0140.06
3	7	32.0140.07
4	8	32.0140.08
5	9	32.0140.09
6	10	32.0140.10
7	11	32.0140.11
8	12	32.0140.12
9	13	32.0140.13



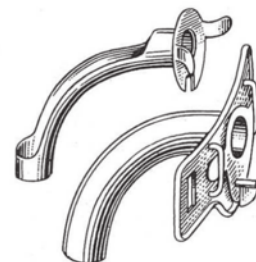
KRISHABER

Fig	mm	
0	4	32.0150.04
1	5	32.0150.05
2	6	32.0150.06
3	7	32.0150.07
4	8	32.0150.08
5	9	32.0150.09
6	10	32.0150.10
7	11	32.0150.11
8	12	32.0150.12



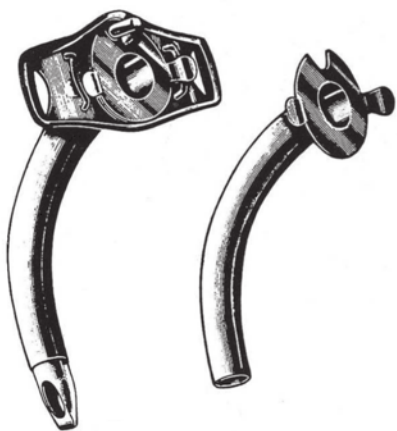
KRISHABER-LUER

Fig	mm	
0	4	32.0152.04
1	5	32.0152.05
2	6	32.0152.06
3	7	32.0152.07
4	8	32.0152.08
5	9	32.0152.09
6	10	32.0152.10
7	11	32.0152.11
8	12	32.0152.12



PARKER

Fig	F.G	
1	16	32.0160.16
2	18	32.0160.18
3	20	32.0160.20
4	22	32.0160.22
5	24	32.0160.24
6	26	32.0160.26
7	28	32.0160.28
8	30	32.0160.30
9	32	32.0160.32



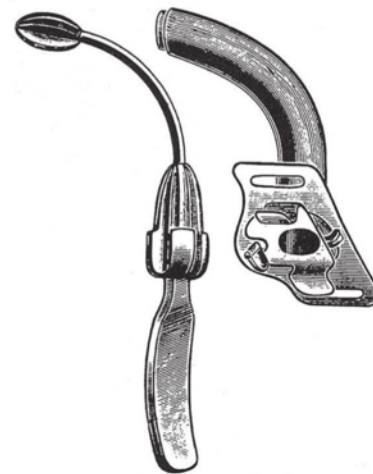
COLLIN

Fig	mm	
0	4	32.0170.04
1	5	32.0170.05
2	6	32.0170.06
3	7	32.0170.07
4	8	32.0170.08
5	9	32.0170.09
6	10	32.0170.10
7	11	32.0170.11
8	12	32.0170.12



FULLER

Fig	F.G	
1	18	32.0180.18
2	20	32.0180.20
3	22	32.0180.22
4	24	32.0180.24
5	26	32.0180.26
6	28	32.0180.28
7	30	32.0180.30
8	32	32.0180.32



CUBLEY

Fig	F.G	
1	16	32.0190.16
2	18	32.0190.18
3	20	32.0190.20
4	22	32.0190.22
5	24	32.0190.24
6	26	32.0190.26
7	28	32.0190.28
8	30	32.0190.30
9	32	32.0190.32

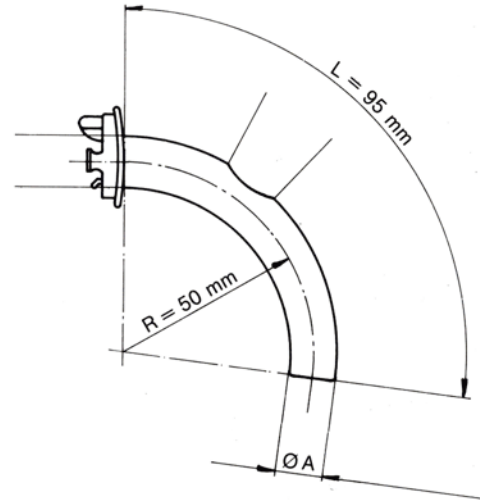
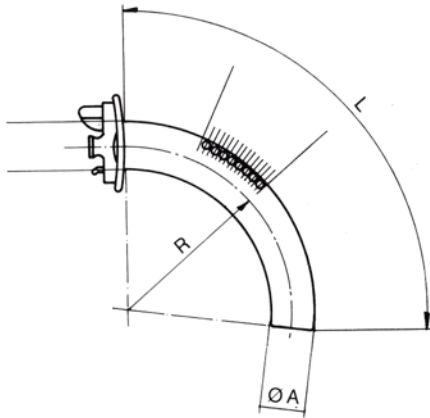


Fig		ØA	L	R
0	32.0200.08	8	65	36.5
1	32.0200.09	9	70	29
2	32.0200.10	10	75	40.5
3	32.0200.11	11	80	41.5
4	32.0200.12	12	85	43
5	32.0200.13	13	90	47.5

Fig		ØA	L	R
0	32.0210.08	8	95	50
1	32.0210.09	9	95	50
2	32.0210.10	10	95	50
3	32.0210.11	11	95	50
4	32.0210.12	12	95	50
5	32.0210.13	13	95	50

32 | Трубки трахеотомические Trachea Retractors

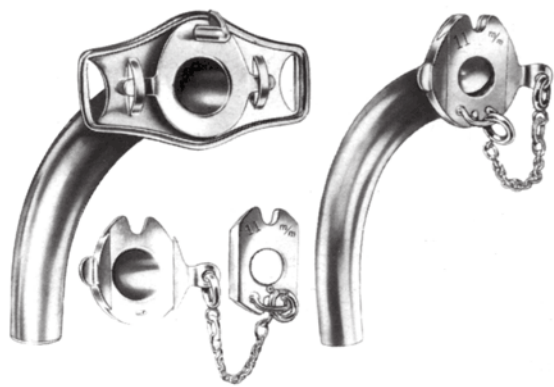
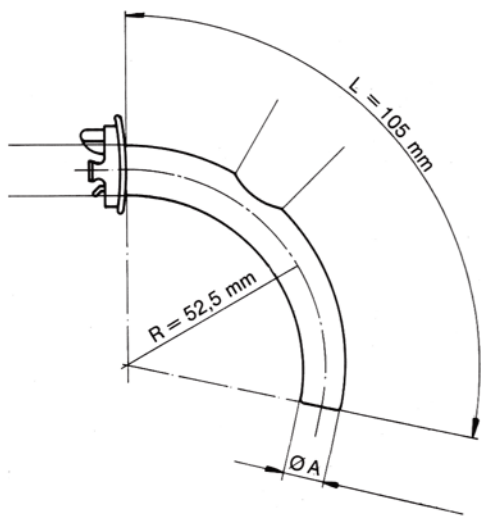


Fig		ØA	L	R
0	32.0220.08	8	105	52.5
1	32.0220.09	9	105	52.5
2	32.0220.10	10	105	52.5
3	32.0220.11	11	105	52.5
4	32.0220.12	12	105	52.5
5	32.0220.13	13	105	52.5

12mm Ø

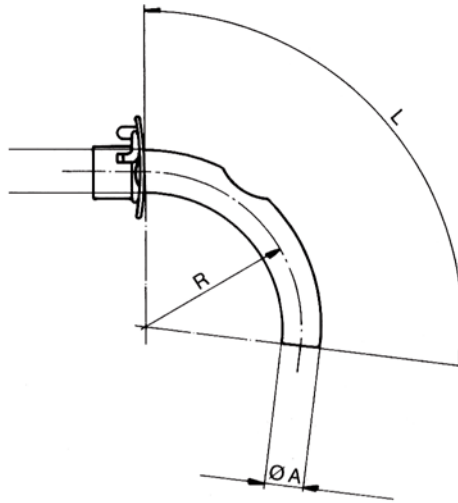


32.0230.26 26.0cm



WAGENER-MOSHER
20.0cm

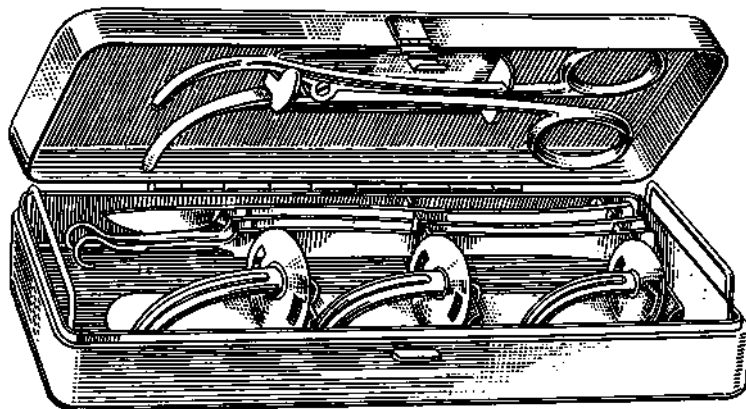
- 32.0240.05 5mm Ø
- 32.0240.07 7mm Ø
- 32.0240.09 9mm Ø



KOENIG

Fig	mmØ	50-80mm
1	5	32.0250.05
2	6	32.0250.06
3	7	32.0250.07
4	8	32.0250.08
5	9	32.0250.09
6	10	32.0250.10
7	11	32.0250.11

Fig		ØA	L	R
0	32.0260.08	8	65	36.5
1	32.0260.09	9	70	39
2	32.0260.10	10	75	40.5
3	32.0260.11	11	80	41.5
4	32.0260.12	12	85	43
5	32.0260.13	13	90	47.5



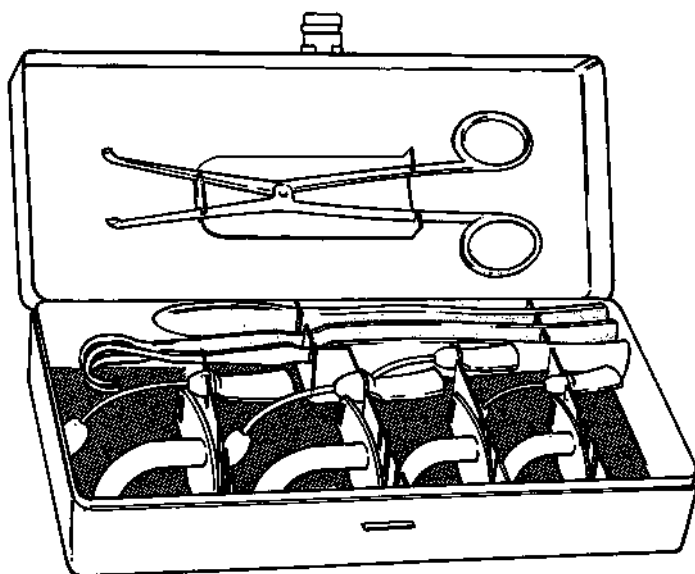
32.0270.00

TRACHEOTOMY SET

32.0270.00

complete in stainless steel case comprising:

- 32.0180.18 Fuller tracheotomy tube, 18
- 32.0180.22 Fuller tracheotomy tube, 22
- 32.0180.26 Fuller tracheotomy tube, 26
- 32.0070.18 Tracheal hook, sharp
- 32.0072.18 Tracheal hook, blunt
- 08.0010.01 Scalpel, stainless, 3cm
- 32.0020.14 Trausseau, tracheal, dilating forcep



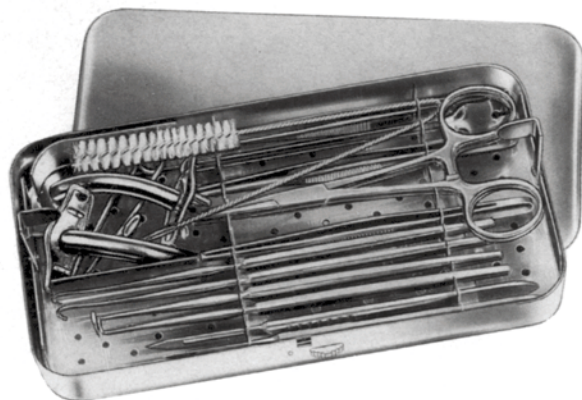
32.0280.00

TRACHEOTOMY SET

32.0280.00

complete in stainless steel case comprising:

- 32.0160.18 Parker tracheotomy tube, 18
- 32.0160.22 Parker tracheotomy tube, 22
- 32.0160.24 Parker tracheotomy tube, 24
- 32.0160.26 Parker tracheotomy tube, 26
- 32.0070.18 Tracheal hook, sharp.
- 32.0078.18 Tracheal hook, double blunt.
- 08.0010.01 Scalpel, stainless, 3cm
- 32.0020.14 Trausseau, tracheal, dilating forcep



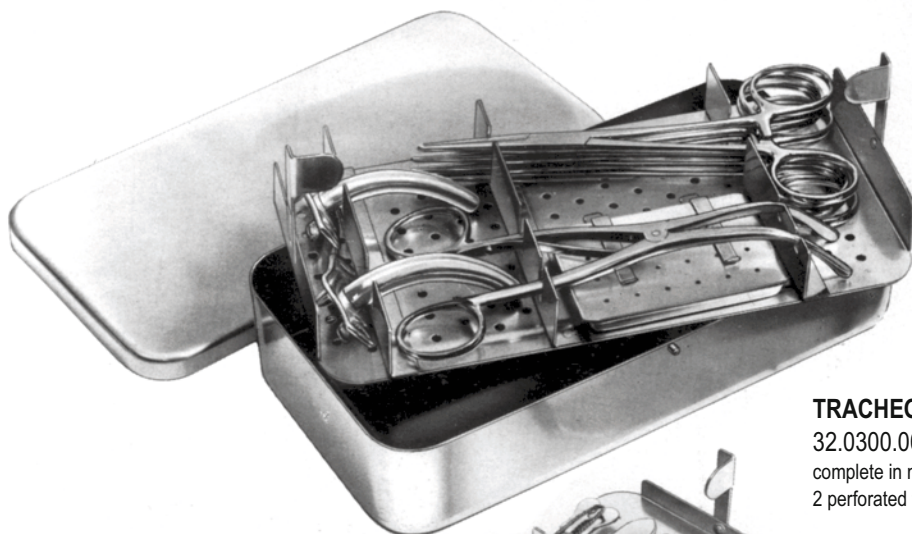
32.0290.00
200 x 105 x 30mm

TRACHEOTOMY SET

32.0290.00

complete in metal case, consisting of:

- 08.0120.04 1 Scalpel Handle NO. 20
- 08.1310.20 1 Scalpel blade, Fig. 20
- 08.1310.23 1 Scalpel blade, Fig. 23
- 12.0010.13 1 Thumb forceps, 13.0cm
- 12.0114.13 1 Tissue forcep, 13.0cm 1 x 2 teeth
- 14.0220.13 2 Pean Artery Forceps, 13.0cm
- 20.0040.14 1 Grooved Director, 14.0cm
- 32.0030.07 1 Trachea Dilator
- 32.0112.16 2 Iterson Trachea Retractors, blunt
- 32.0120.16 1 Bose Trachea Retrector, sharp left hand side
- 32.0122.16 1 ditto, right hand side
- 32.0130.07 1 Luer Trachea Tube, Standard
- 32.0130.08 1 ditto
- 32.0230.20 1 Cleaning Brush



32.0300.00
200 x 100 x 40mm

TRACHEOTOMY SET

32.0300.00

complete in metal case 200 x 100 x 40 mm, with
2 perforated trays of 18/8 s/s containing the following instruments:

- 08.0120.04 1 Scalpel Handle NO. 20
- 08.1310.20 1 Scalpel blade, Fig. 20
- 08.1310.23 1 Scalpel blade, Fig. 23
- 3 Scalpel Blades, assorted, in perforated small case.
- 1 Small case for above Scalpel Blades
- 12.0010.13 1 Dressing Forceps, serrated, 13.0cm
- 12.0114.13 2 Tissue Forceps, 1 x 2 teeth, 13.0cm
- 14.0094.14 4 Crile Artery Forceps, straight, 14.0cm
- 20.0040.14 1 Grooved Director, 14.0cm
- 32.0020.14 1 Trousseau Trachea Dilator, 14.0cm
- 32.0112.16 2 Iterson Trachea Hooks, blunt
- 32.0120.16 1 Bose Hook, sharp, left hand side, 16.0cm
- 32.0122.16 1 ditto, right hand side, 16.0cm
- 32.0130.06 1 Luer Trachea Tube, size 2.6mm diam.
German Silver.
- 32.0130.08 1 ditto, size 4.8mm diam, German Silver.
- 32.0230.20 1 Cleaning Brush, 12mm diam. 26.0cm