

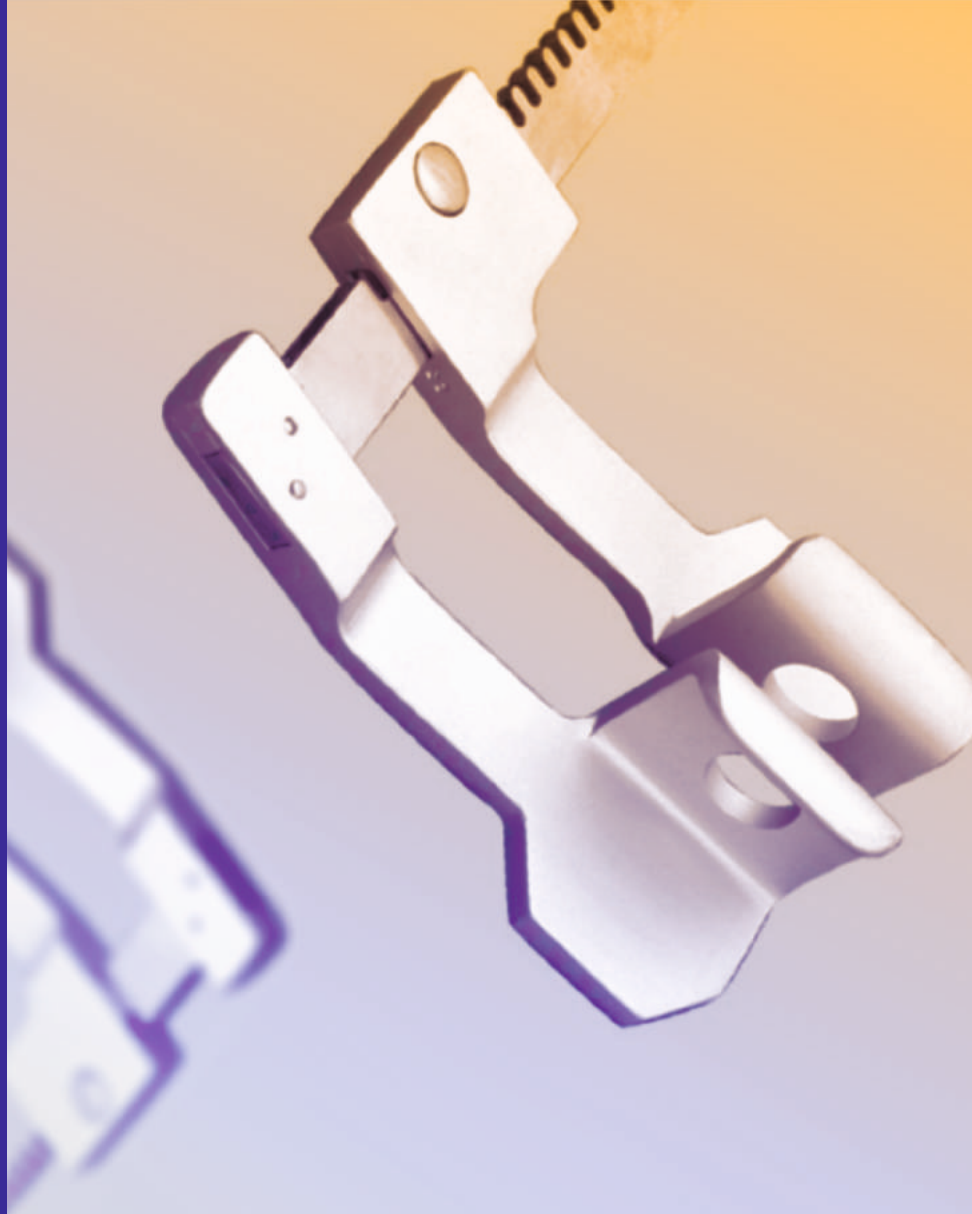
36

Страницы раздела
001-031

ГРУДНАЯ И ЛЁГОЧНАЯ ХИРУРГИЯ

THORACIC & LUNG SURGERY

Перейти в **СОДЕРЖАНИЕ**



36 | Ножницы реберные Bone and Rib Shears



COLLIN
36.0010.19 19.0cm



STILLE
36.0020.21 21.0cm



GLUCK
36.0030.19 19.0cm
36.0030.22 22.0cm



36.0040.20 20.0cm
36.0040.23 23.0cm



36.0050.22 22.0cm



36.0060.17 17.0cm



GIERTZ - STILLE
36.0070.27 27.0cm



SAUERBRUCH - FREY
36.0080.36 36.0cm



BRUNNER
32.0cm
36.0090.28 right
36.0092.28 left



LEBSCHE
36.0100.24 24.5cm



LEBSCHE
36.0110.25 25.0cm



SAUERBRUCH
36.0120.26 26.0cm



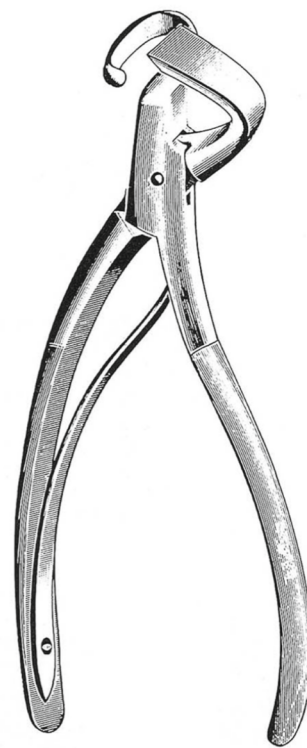
CORYLLOS
36.0130.35 35.0cm



36.0132.35 35.0cm



BETHUNE
36.0140.34 34.0cm



DOYEN
36.0150.19 19.0cm



BETHUNE-NELSON
36.0160.34 34.0cm
with probe ended blades



ROBERTS
36.0170.34 34.0cm
with angular probe ended blades



ROBERTS
36.0180.34 34.0cm
with angular probe ended
blades of first and second ribs

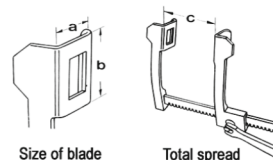


SCHUMACHER
36.0190.21 21.0cm



TUDOR EDWARDS
36.0200.23 23.0cm

Scheme of dimensions



CASTAÑEDA

S/S	ALU	a	b	c
36.0300.01	36.7300.01	10.5mm	32mm	65mm
36.0300.02	36.7300.02	16mm	30mm	65mm



CASTAÑEDA

S/S	ALU	a	b	c
36.0302.01	36.7302.01	12mm	45mm	70mm

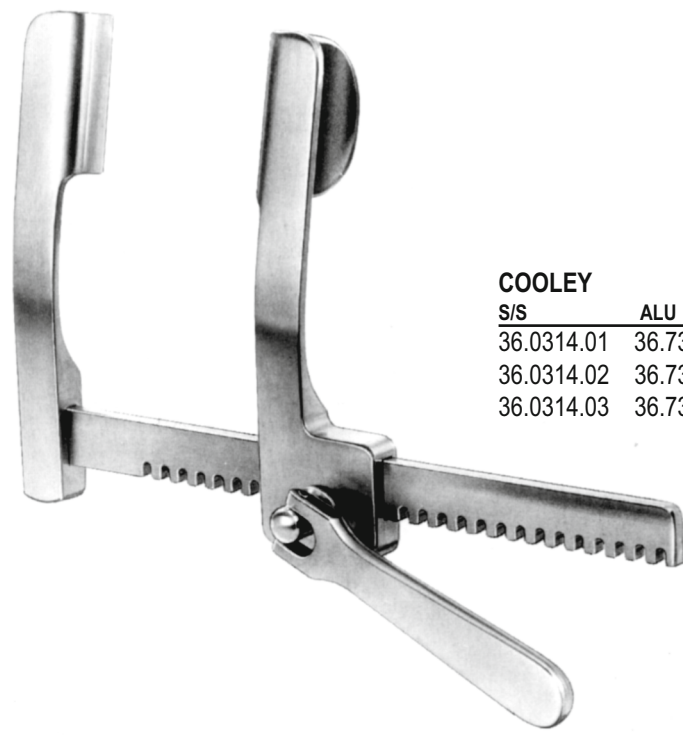


CASTAÑEDA

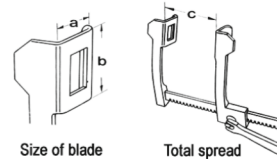
S/S	ALU	a	b	c
36.0304.01	36.7304.01	15mm	60mm	120mm

36 | Ранорасширители реберные

Rib Spreaders



Scheme of dimensions



COOLEY

S/S	ALU	a	b	c
36.0310.01	36.7310.01	12mm	13mm	95mm
36.0310.02	36.7310.02	12mm	17mm	75mm
36.0310.03	36.7310.03	14mm	16mm	85mm

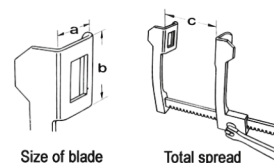
COOLEY

S/S	ALU	a	b	c
36.0312.01	36.7312.01	15mm	30mm	115mm
36.0312.02	36.7312.02	15mm	30mm	140mm
36.0312.03	36.7312.03	16mm	30mm	105mm
36.0312.04	36.7312.04	20mm	45mm	140mm
36.0312.05	36.7312.05	21mm	44mm	150mm
36.0312.06	36.7312.06	30mm	35mm	140mm

COOLEY

S/S	ALU	a	b	c
36.0314.01	36.7314.01	30mm	50mm	185mm
36.0314.02	36.7314.02	35mm	50mm	200mm
36.0314.03	36.7314.03	37mm	49mm	200mm

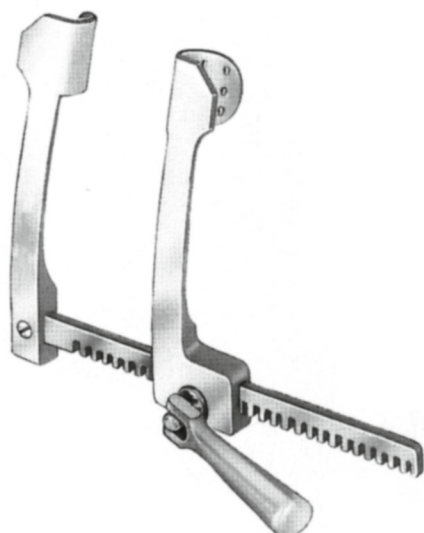
Scheme of dimensions



COOLEY

for neonatal

S/S	ALU	a	b	c
36.0320.01	36.7320.01	12mm	15mm	70mm



COOLEY

infant, sternal spreader

S/S	ALU	a	b	c
36.0322.01	36.7322.01	15mm	20mm	100mm

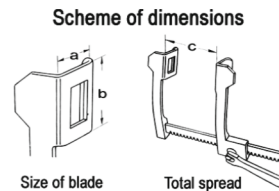
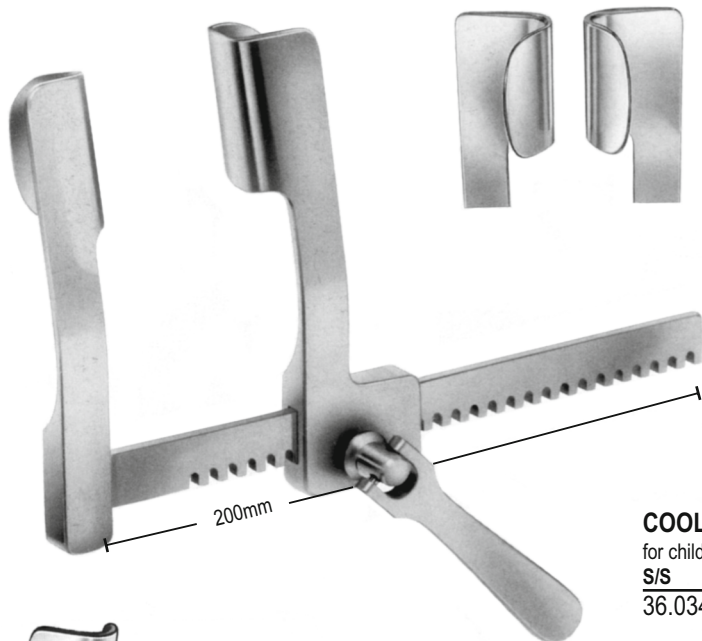


COOLEY

for babies

S/S	ALU	a	b	c
36.0330.01	36.7330.01	20mm	25mm	100mm

36 | Ранорасширители реберные Rib Spreaders



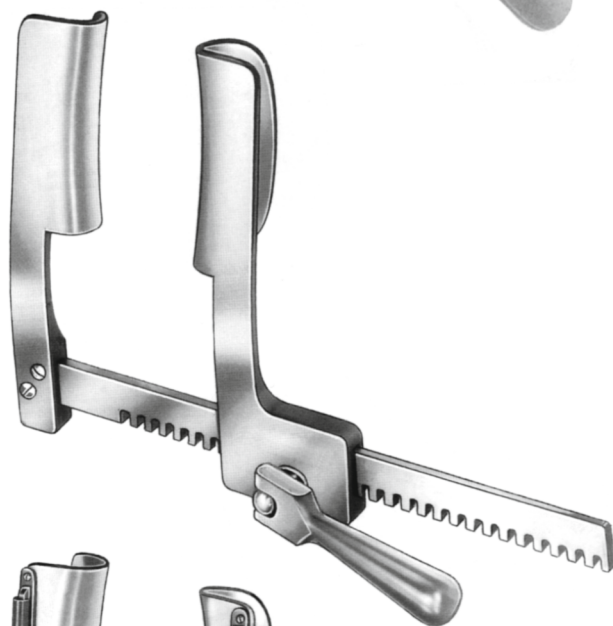
COOLEY

for children

S/S	ALU	a	b	c
36.0340.01	36.7340.01	21mm	45mm	145mm

for adult

36.0340.02	36.7340.02	32mm	50mm	190mm
------------	------------	------	------	-------



COOLEY

for children

S/S	ALU	a	b	c
36.0350.01	36.7350.01	35mm	100mm	180mm

for adult

36.0350.02	36.7350.02	35mm	115mm	230mm
------------	------------	------	-------	-------

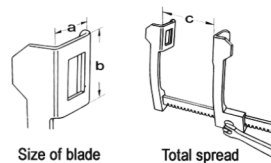


COOLEY

for adults with suture separator

S/S	ALU	a	b	c
36.0360.01	36.7360.01	35mm	100mm	180mm

Scheme of dimensions



H-COOLEY

with swivel convex blades, for babies

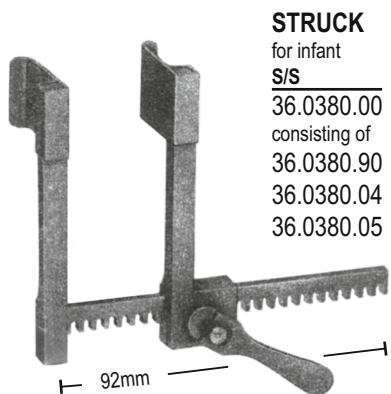
S/S	ALU	a	b	c
36.0370.01	36.7370.01	10mm	15mm	90mm



H-COOLEY

with swivel blades, for babies

S/S	ALU	a	b	c
36.0370.02	36.7370.02	10mm	15mm	90mm

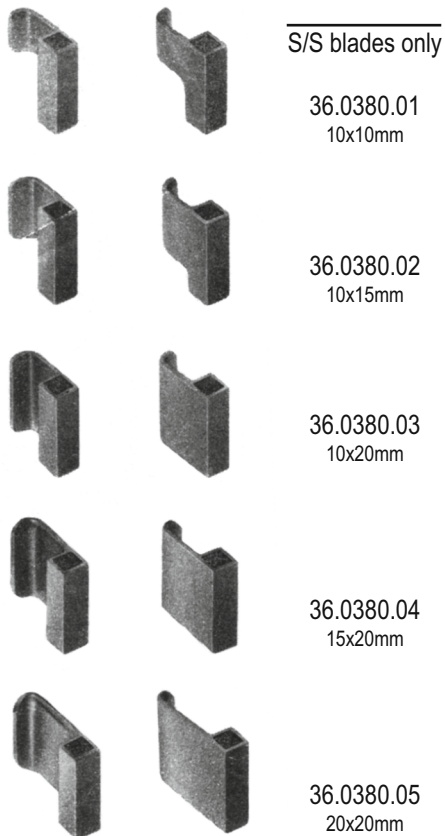


STRUCK

for infant

S/S

- 36.0380.00 consisting of
- 36.0380.90 spreader only
- 36.0380.04 1 pair
- 36.0380.05 1 pair



S/S blades only

36.0380.01
10x10mm

36.0380.02
10x15mm

36.0380.03
10x20mm

36.0380.04
15x20mm

36.0380.05
20x20mm

36 | Ранорасширители реберные

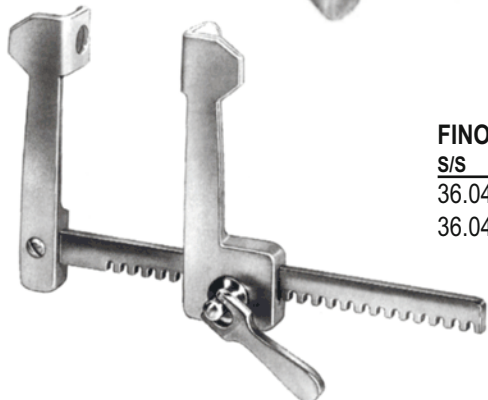
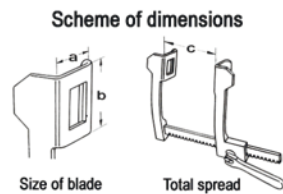
Rib Spreaders



WEINBERG

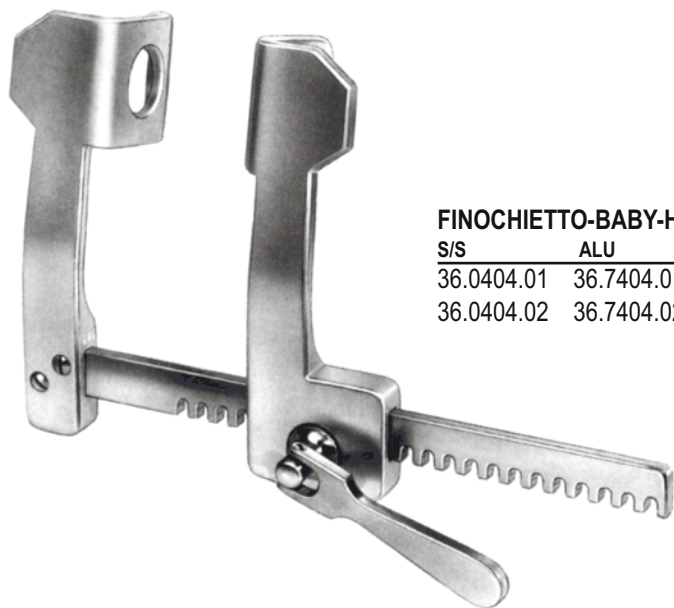
for children

S/S	ALU	a	b	c
36.0390.01	36.7390.01	12mm	20mm	95mm



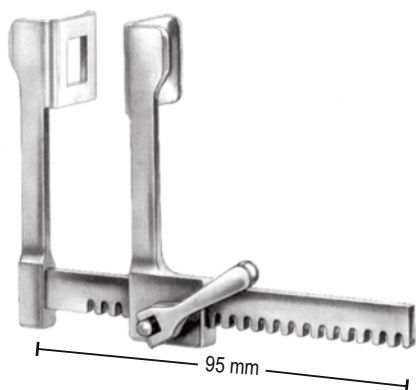
FINOCHIETTO-INFANT

S/S	ALU	a	b	c
36.0400.01	36.7400.01	12mm	15mm	70mm
36.0400.02	36.7400.02	15mm	15mm	75mm

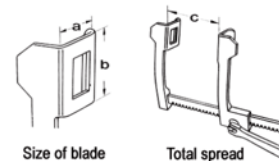


FINOCHIETTO-BABY-HAIGHT

S/S	ALU	a	b	c
36.0404.01	36.7404.01	27mm	30mm	95mm
36.0404.02	36.7404.02	31mm	31mm	100mm



Scheme of dimensions

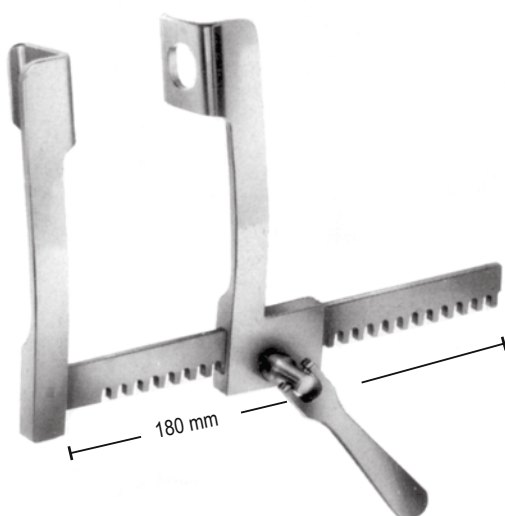


Size of blade

Total spread

FINOCHIETTO-BABY

S/S	ALU	a	b	c
36.0410.01	36.7410.01	14mm	15mm	75mm
36.0410.02	36.7410.02	18mm	20mm	75mm



S/S	ALU	a	b	c
36.0420.01	36.7420.01	28mm	32mm	120mm

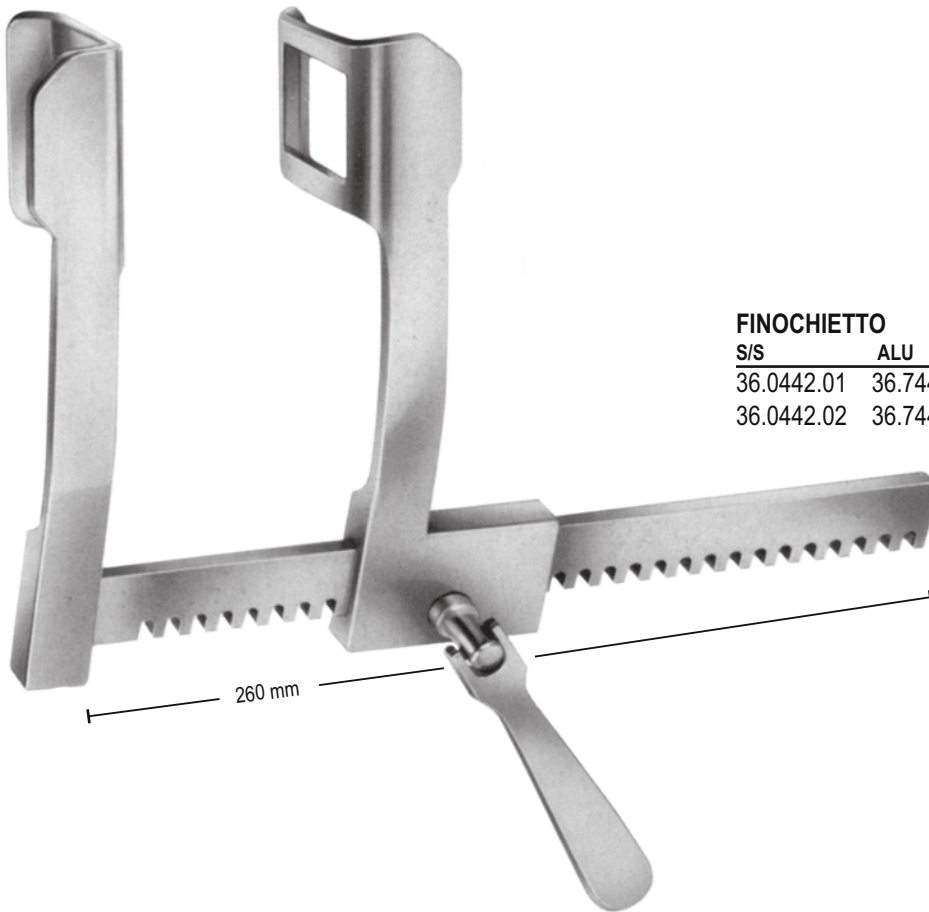
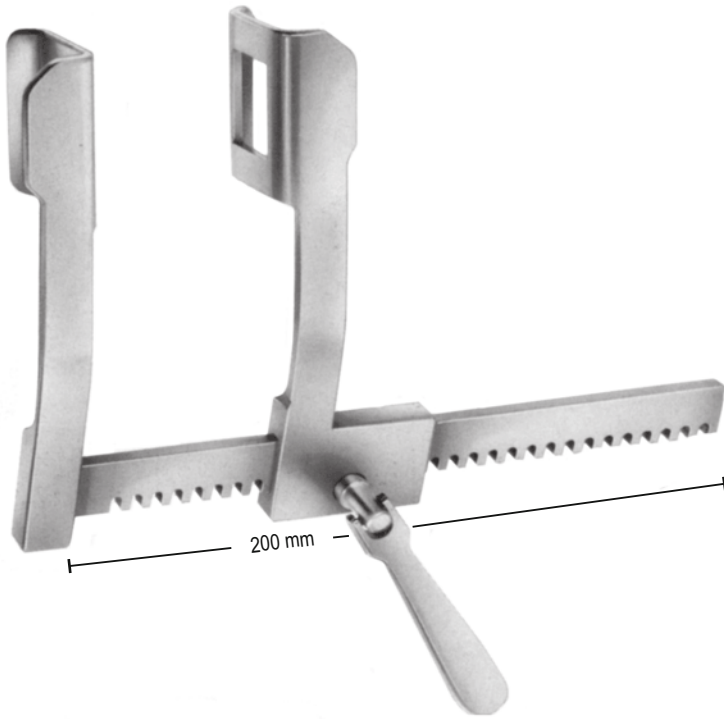


FINOCHIETTO

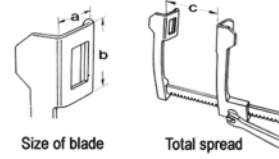
S/S	ALU	a	b	c
36.0430.01	36.7430.01	12mm	15mm	100mm
36.0430.02	36.7430.02	28mm	30mm	143mm
36.0430.03	36.7430.03	31mm	45mm	210mm
36.0430.04	36.7430.04	42mm	61mm	245mm
36.0430.05	36.7430.05	74mm	64mm	245mm

36 | Ранорасширители реберные

Rib Spreaders



Scheme of dimensions



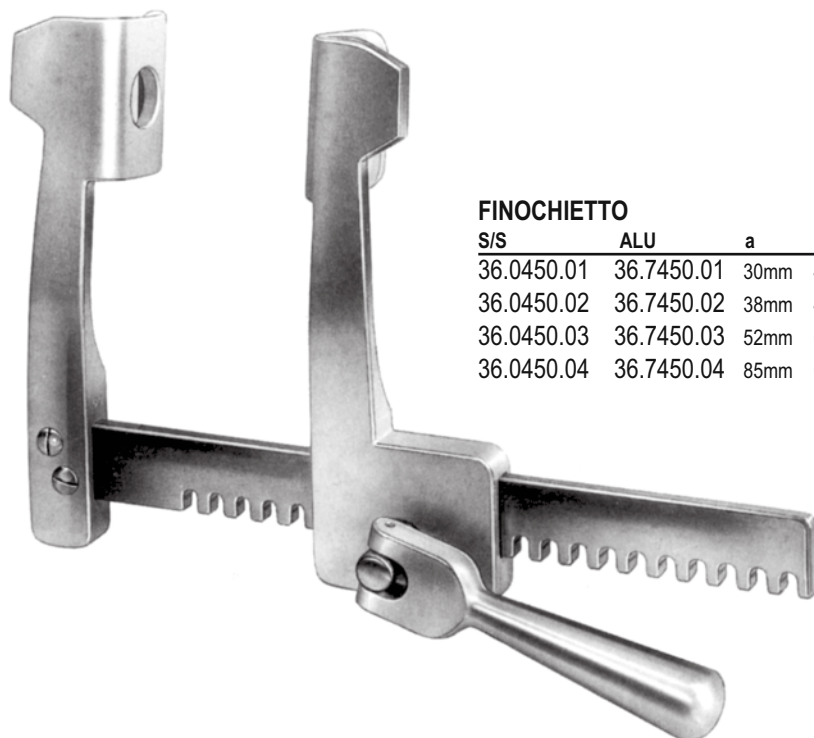
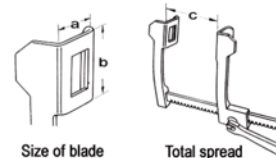
FINOCHIETTO

S/S	ALU	a	b	c
36.0440.01	36.7440.01	36mm	45mm	140mm

FINOCHIETTO

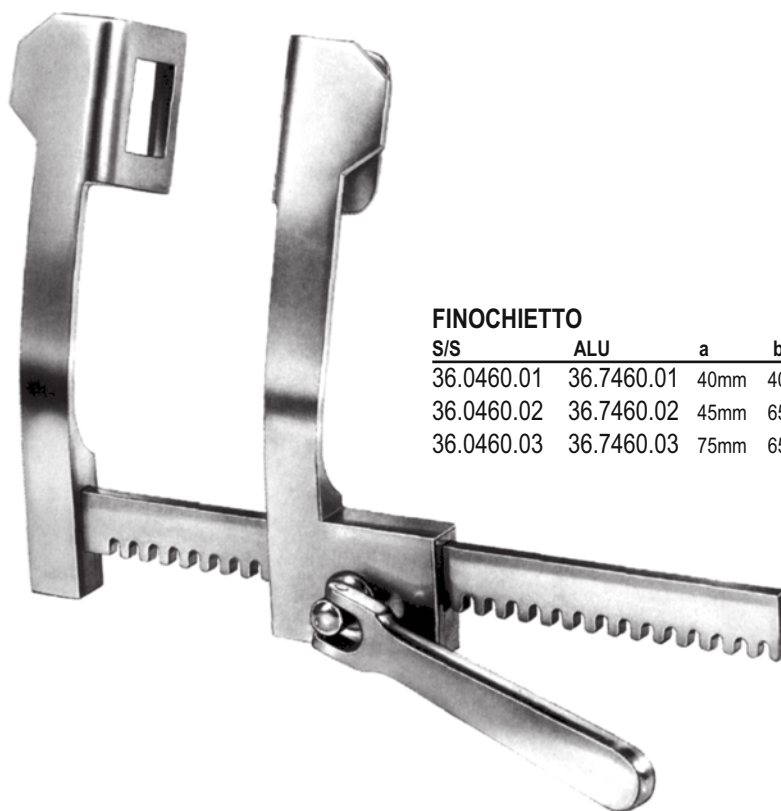
S/S	ALU	a	b	c
36.0442.01	36.7442.01	44mm	65mm	210mm
36.0442.02	36.7442.02	65mm	65mm	210mm

Scheme of dimensions



FINOCHIETTO

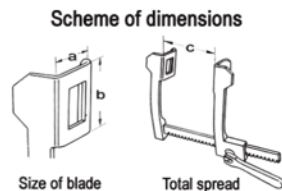
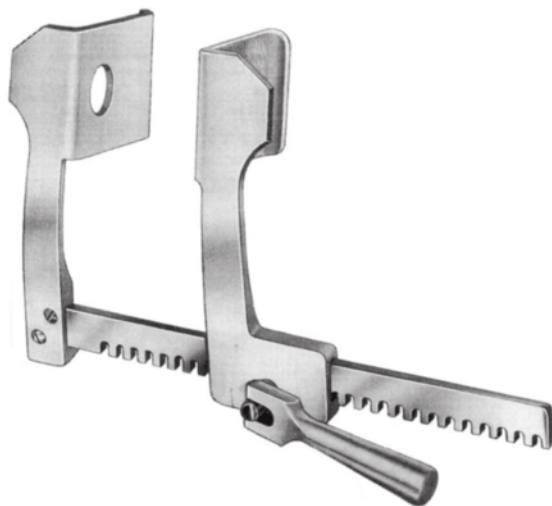
S/S	ALU	a	b	c
36.0450.01	36.7450.01	30mm	45mm	140mm
36.0450.02	36.7450.02	38mm	44mm	135mm
36.0450.03	36.7450.03	52mm	62mm	175mm
36.0450.04	36.7450.04	85mm	65mm	175mm



FINOCHIETTO

S/S	ALU	a	b	c
36.0460.01	36.7460.01	40mm	40mm	165mm
36.0460.02	36.7460.02	45mm	65mm	200mm
36.0460.03	36.7460.03	75mm	65mm	250mm

36 | Ранорасширители реберные Rib Spreaders



FINOCHIETTO

for adults

S/S	ALU	a	b	c
36.0470.01	36.7470.01	42mm	62mm	170mm
36.0470.02	36.7470.02	73mm	65mm	170mm



FINOCHIETTO

for adults, with suture separator

S/S	ALU	a	b	c
36.0472.01	36.7472.01	42mm	62mm	170mm

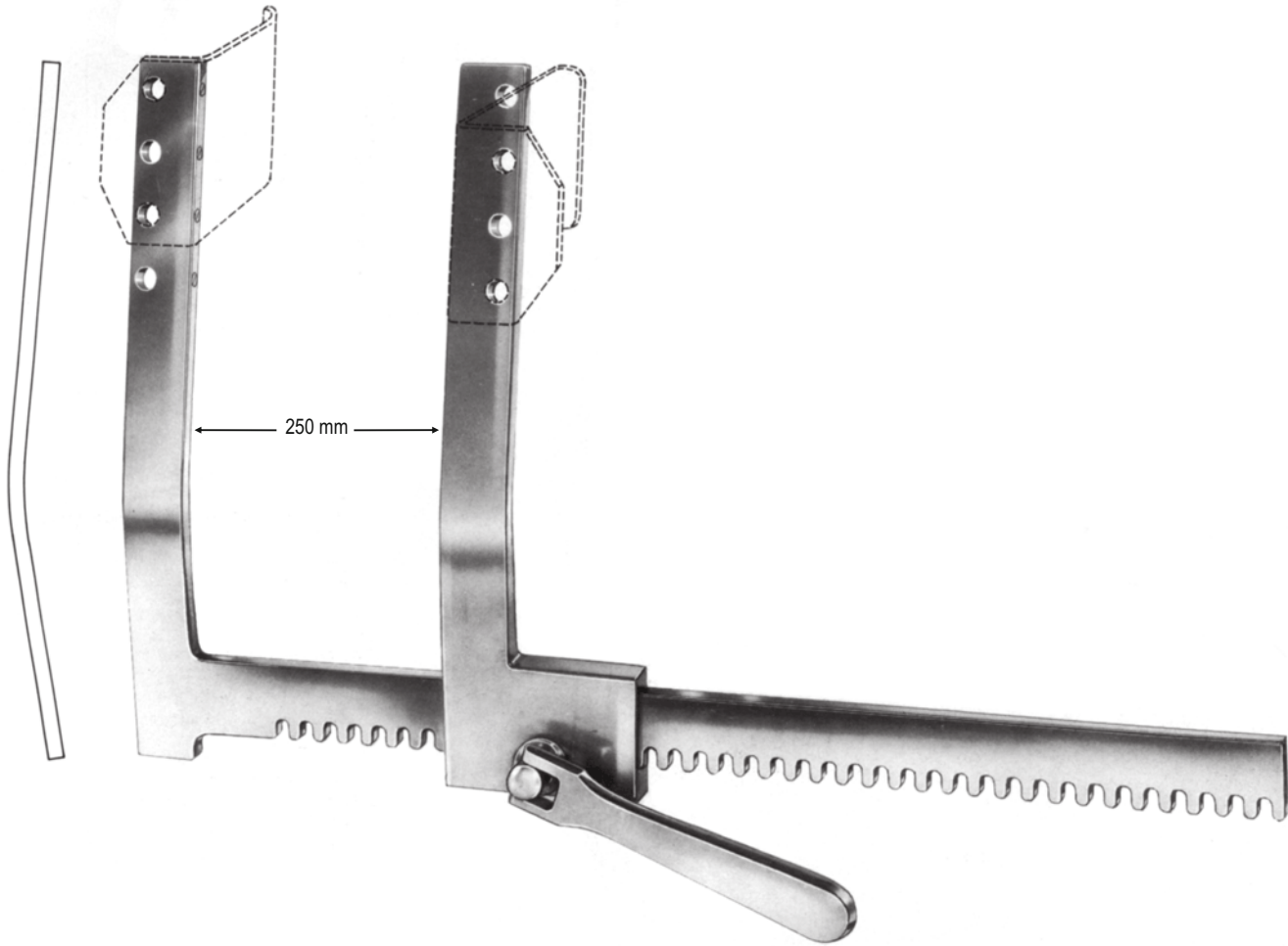
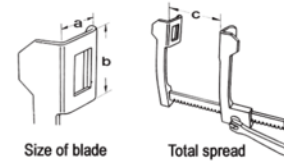


FINOCHIETTO

for adults, with 2 blades attached to each arm

S/S	ALU	a	b	c
36.0480.01	36.7480.01	10mm	15mm	120mm
36.0480.02	36.7480.02	14mm	14mm	120mm
36.0480.03	36.7480.03	14mm	20mm	120mm

Scheme of dimensions

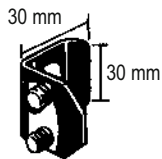


FINOCHIETTO

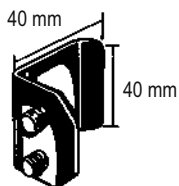
3 pairs of exchangeable blades

S/S	ALU	S/S	ALU
36.0490.00	36.7490.00	36.0491.00	36.7491.00
blades		blades	
36.0490.30	36.7490.30	36.0491.40	36.7491.40
36.0490.40	36.7490.40	36.0491.50	36.7491.50
36.0490.50	36.7490.50	36.0491.60	36.7491.60
frame only 150mm		frame only 250mm	
36.0490.01	36.7490.01	36.0491.01	36.7491.01

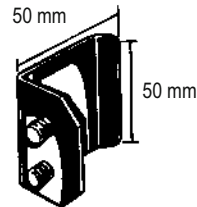
36 | Ранорасширители реберные Зеркала сменные к ранорасширителям Interchangeable Blades



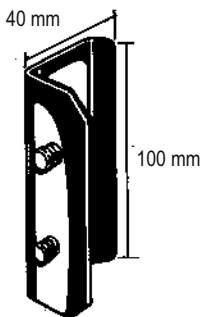
S/S Alu
36.0490.30 36.7490.30
30x30mm



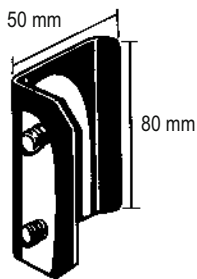
S/S Alu
36.0490.40 36.7490.40
40x40mm



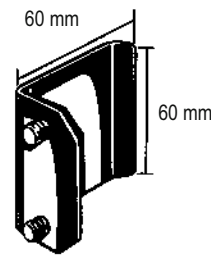
S/S Alu
36.0490.50 36.7490.50
50x50mm



S/S Alu
36.0491.40 36.7491.40
40x100mm

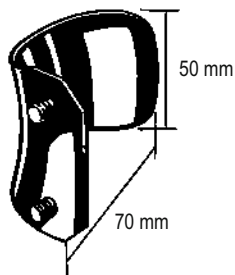


S/S Alu
36.0491.50 36.7491.50
50x80mm

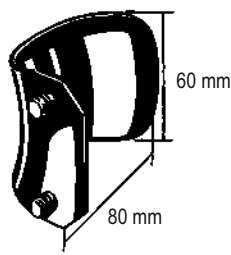


S/S Alu
36.0491.60 36.7491.60
60x60mm

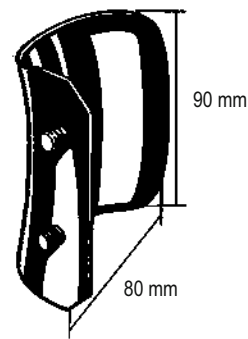
Optional Exchangeable Blades



S/S Alu
36.0491.70 36.7491.70
70x50mm

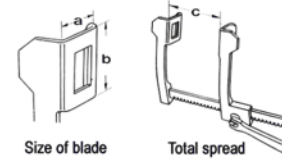


S/S Alu
36.0491.80 36.7491.80
80x60mm



S/S Alu
36.0491.90 36.7491.90
80x90mm

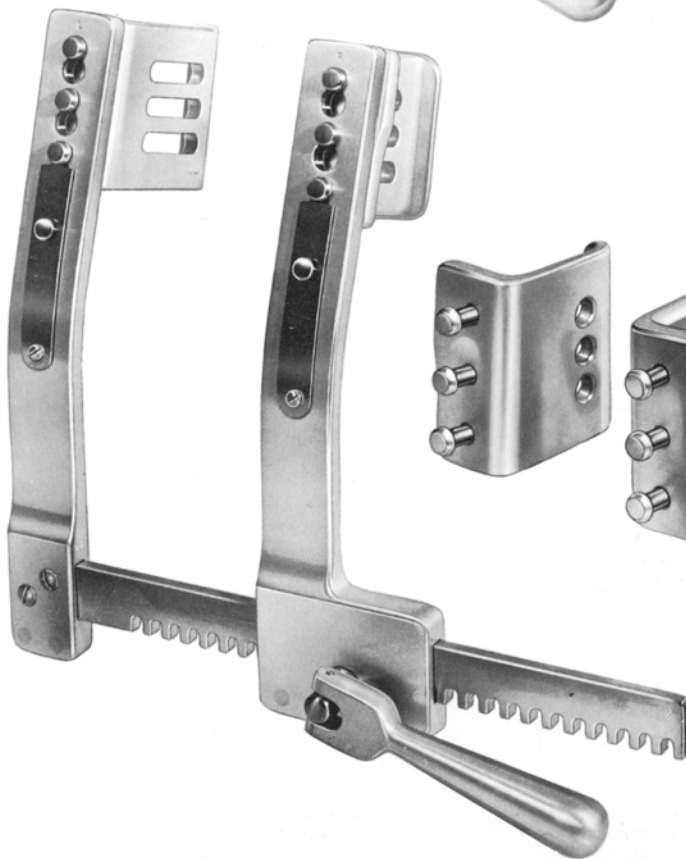
Scheme of dimensions



BURFORD

for children
with 2 pairs of blades

S/S	ALU	a	b	c
36.0500.01	36.7500.01	30mm 41mm	42mm 42mm	130mm
36.0500.02	36.7500.02	34mm 48mm	42mm 42mm	135mm

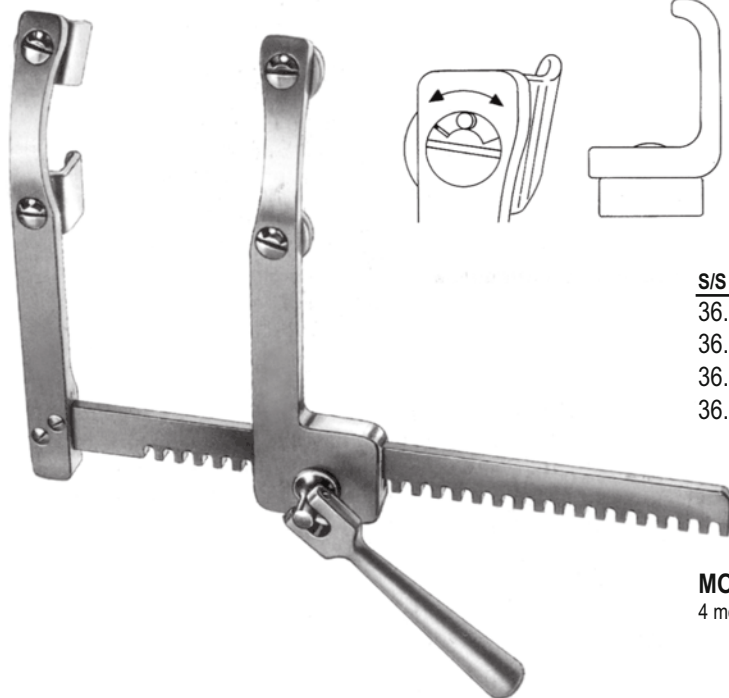


BURFORD

for adults
with 2 pairs of blades

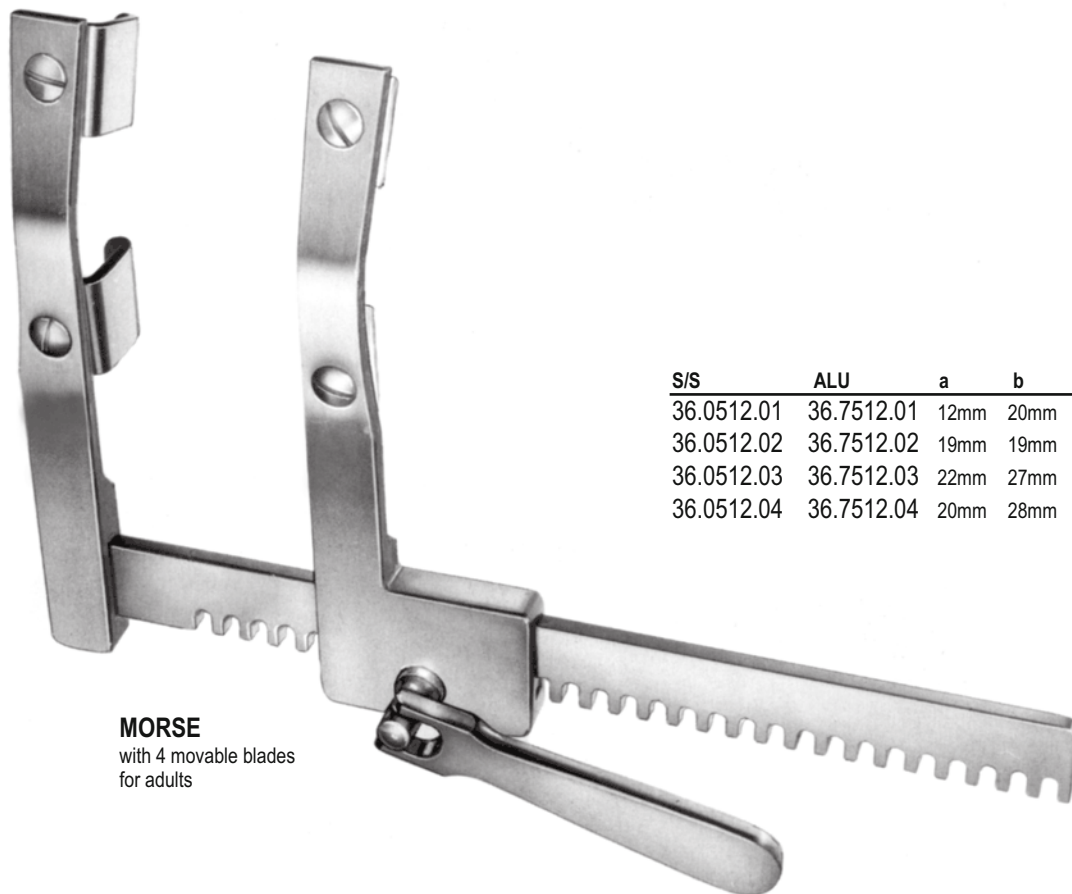
S/S	ALU	a	b	c
36.0502.01	36.7502.01	47mm 65mm	62mm 62mm	200mm
36.0502.02	36.7502.02	47mm 65mm	62mm 62mm	260mm
36.0502.03	36.7502.03	47mm 65mm	62mm 62mm	300mm

36 | Ранорасширители реберные Rib Spreaders



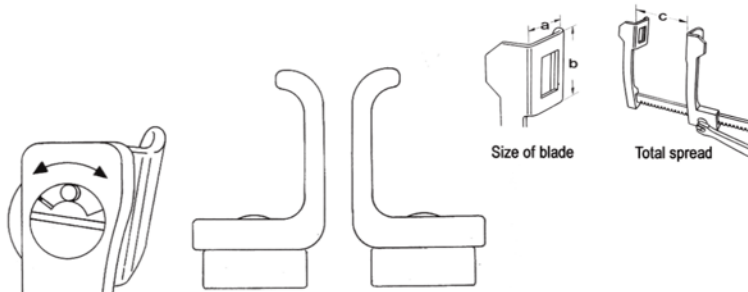
S/S	ALU	a	b	c
36.0510.01	36.7510.01	12mm	20mm	155mm
36.0510.02	36.7510.02	20mm	20mm	155mm
36.0510.03	36.7510.03	40mm	20mm	155mm
36.0510.04	36.7510.04	17mm	22mm	160mm

MORSE-FAVALORO
4 movable blades for children



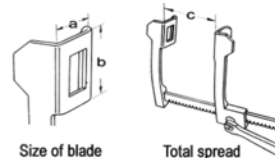
MORSE
with 4 movable blades
for adults

Scheme of dimensions



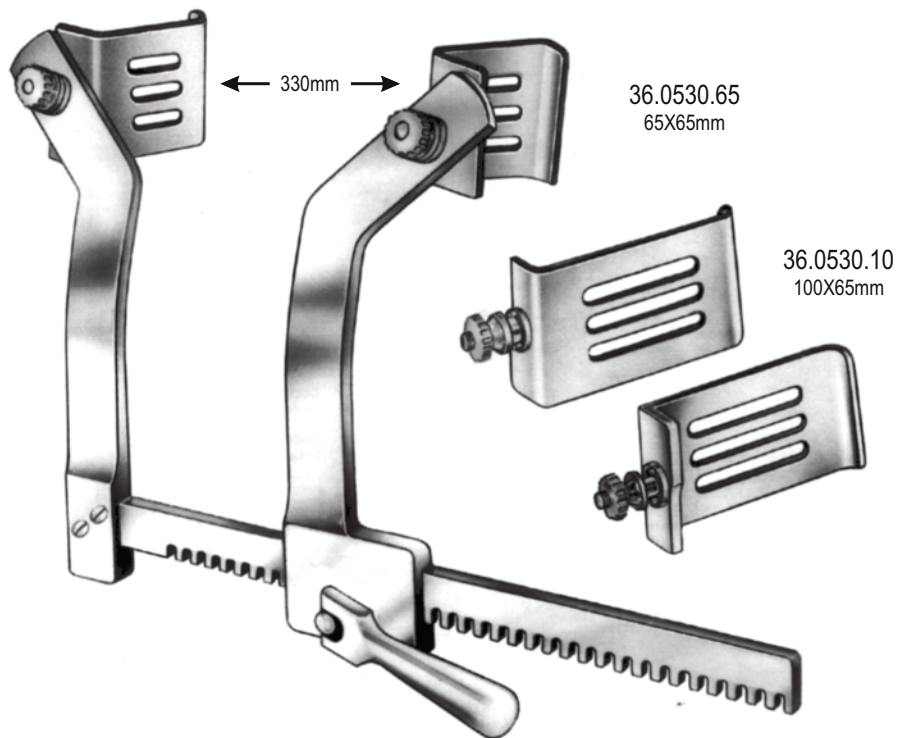
S/S	ALU	a	b	c
36.0512.01	36.7512.01	12mm	20mm	200mm
36.0512.02	36.7512.02	19mm	19mm	200mm
36.0512.03	36.7512.03	22mm	27mm	200mm
36.0512.04	36.7512.04	20mm	28mm	210mm

Scheme of dimensions



MORSE STERNAL

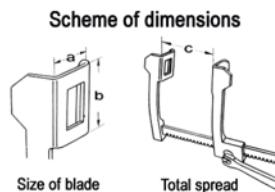
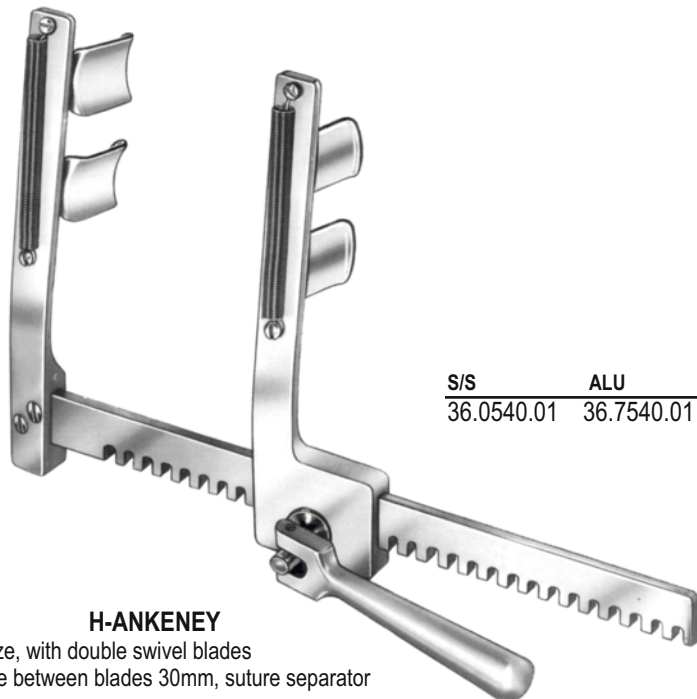
S/S	ALU	a	b	c
36.0520.01	36.7520.01	30mm	35mm	200mm



BRAASTAD

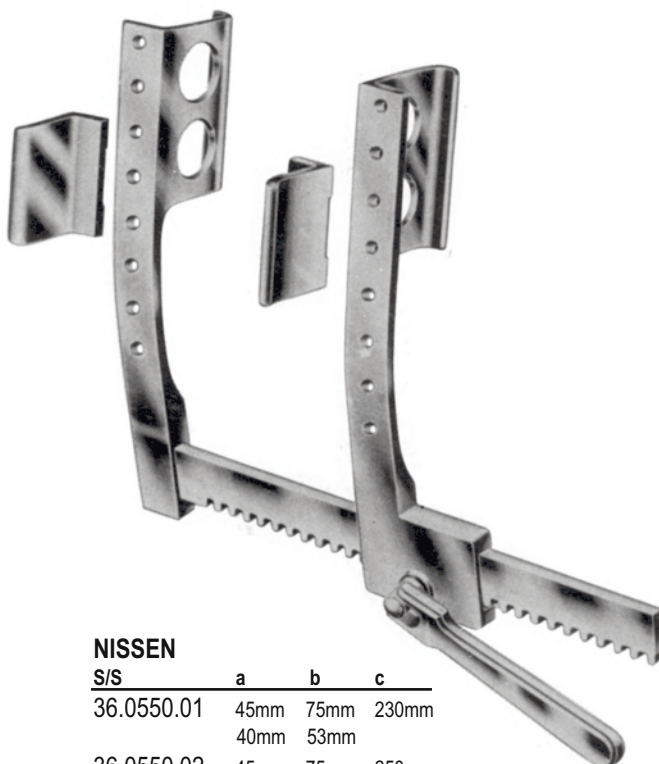
S/S	ALU
36.0530.01	36.7530.01
with 2 pairs of blades	
36.0530.65	36.7530.65
36.0530.10	36.7530.10

36 | Ранорасширители реберные Rib Spreaders

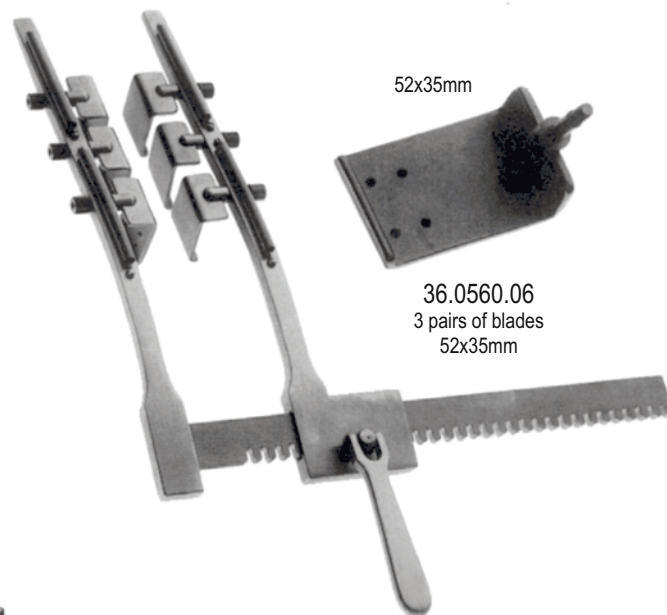


S/S	ALU	a	b	c
36.0540.01	36.7540.01	20mm	20mm	160mm

H-ANKENEY
child size, with double swivel blades
distance between blades 30mm, suture separator

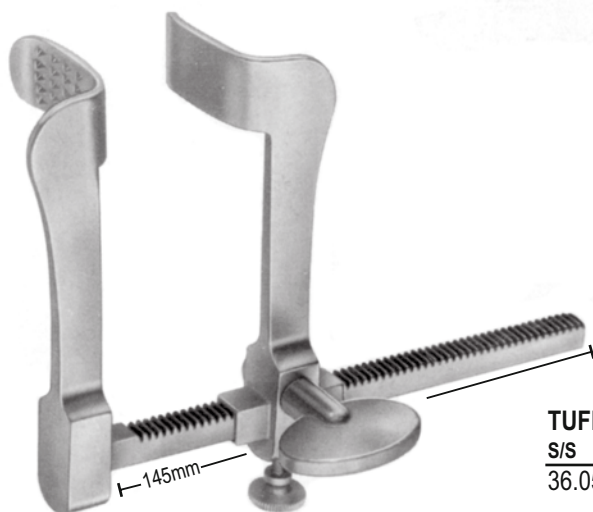
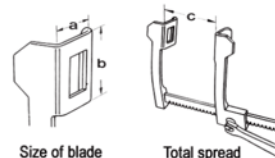


NISSEN			
S/S	a	b	c
36.0550.01	45mm	75mm	230mm
	40mm	53mm	
36.0550.02	45mm	75mm	250mm
	40mm	53mm	



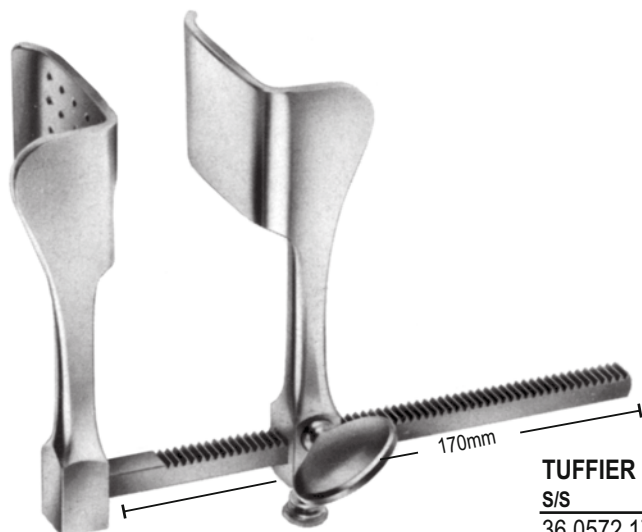
ANKENEY			
S/S	a	b	c
36.0560.01	52mm	35mm	178mm

Scheme of dimensions



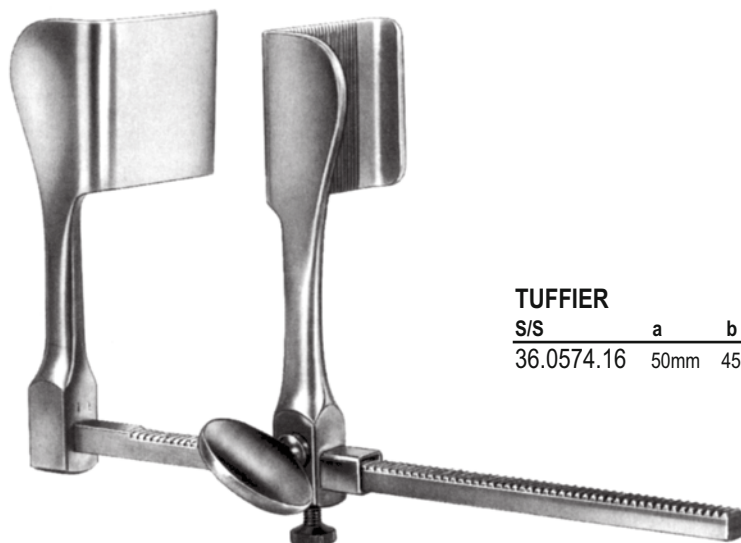
TUFFIER

S/S	a	b	c
36.0570.14	32mm	19mm	110mm



TUFFIER

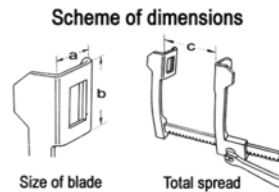
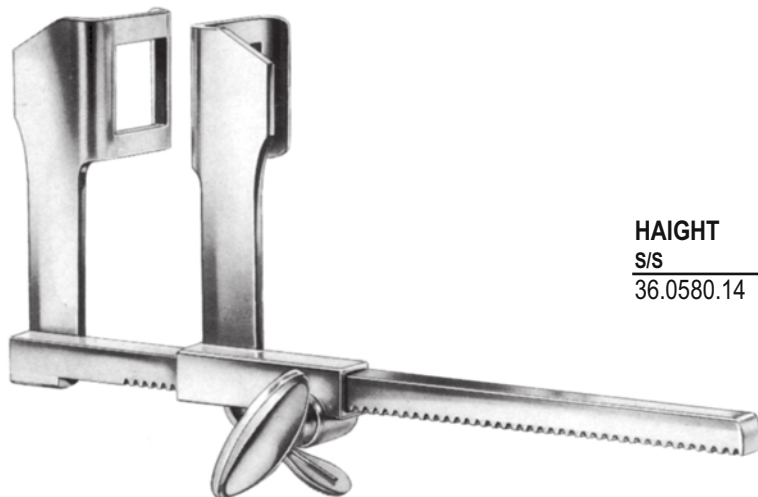
S/S	a	b	c
36.0572.17	43mm	53mm	130mm



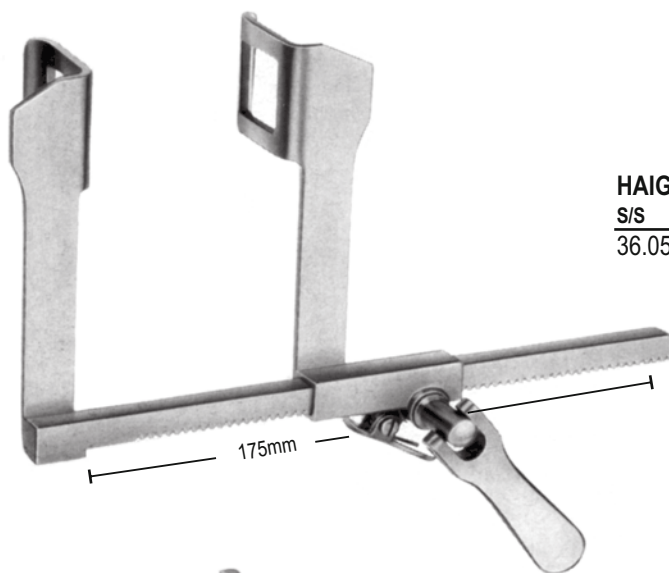
TUFFIER

S/S	a	b	c
36.0574.16	50mm	45mm	165mm

36 | Ранорасширители реберные Rib Spreaders



HAIGHT			
S/S	a	b	c
36.0580.14	30mm	30mm	90mm

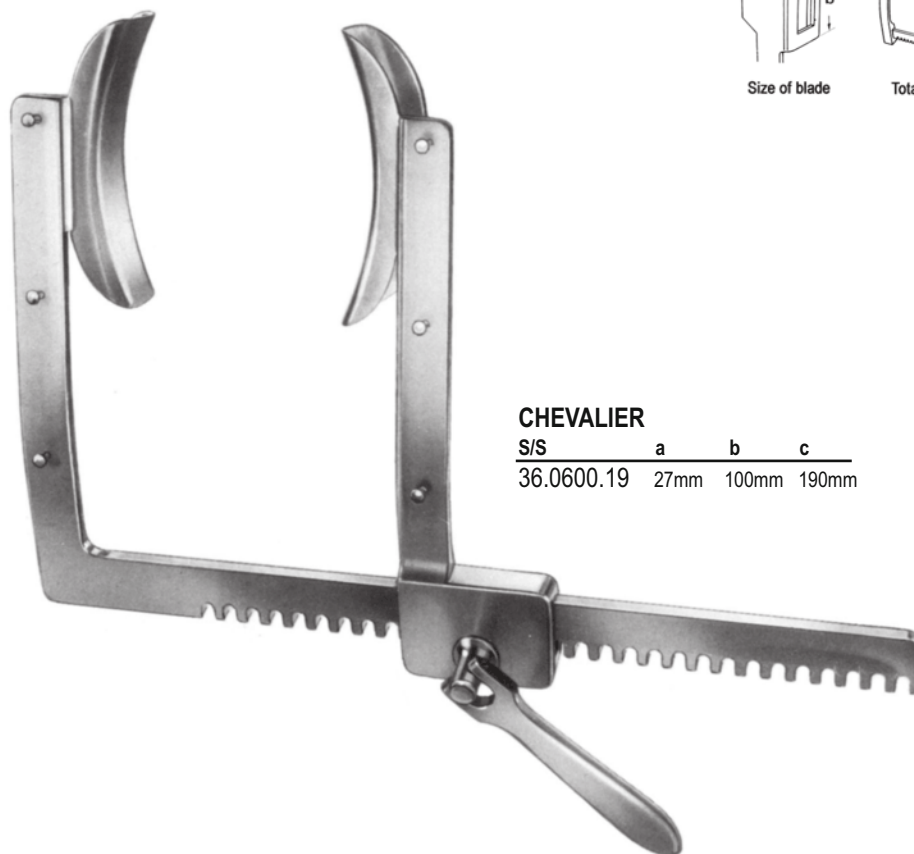
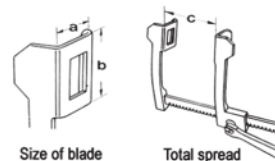


HAIGHT			
S/S	a	b	c
36.0582.15	30mm	30mm	115mm



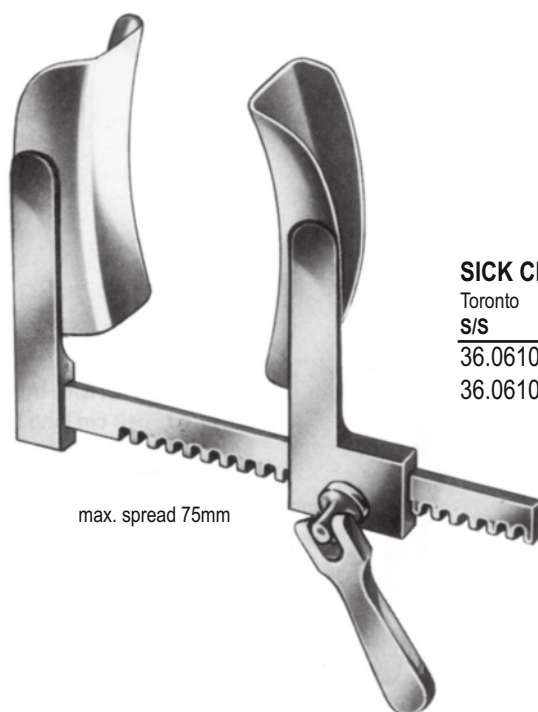
HERTZLER			
S/S	a	b	c
36.0590.15	20mm	25mm	105mm

Scheme of dimensions



CHEVALIER

S/S	a	b	c
36.0600.19	27mm	100mm	190mm



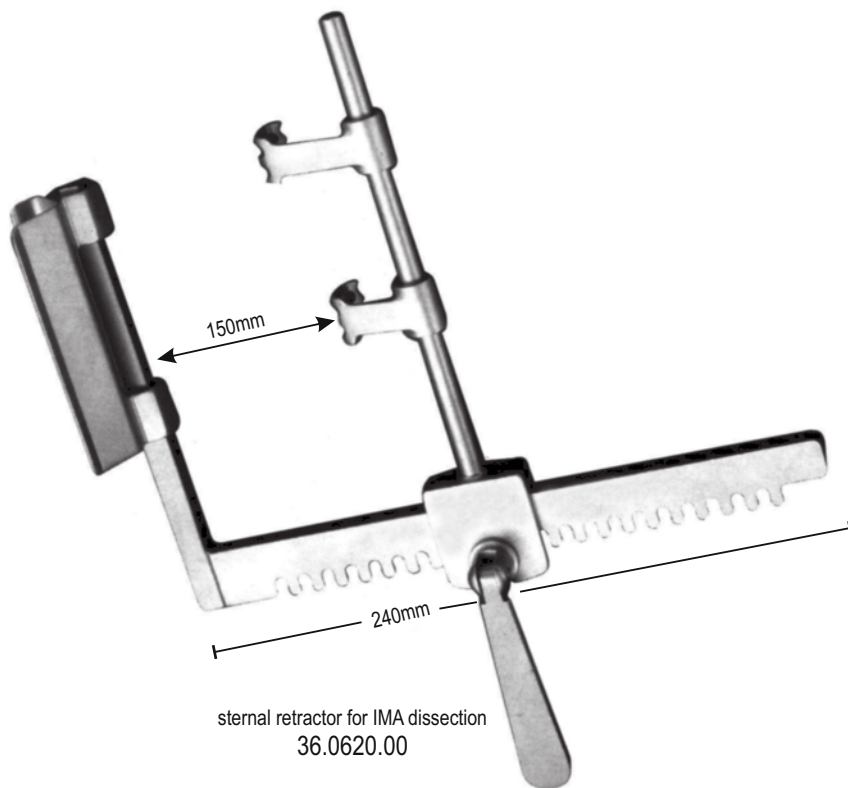
max. spread 75mm

SICK CHILDREN HOSPITAL

Toronto

S/S		a	b	c
36.0610.01	(infant)	20mm	40mm	75mm
36.0610.02	(infant)	20mm	60mm	75mm

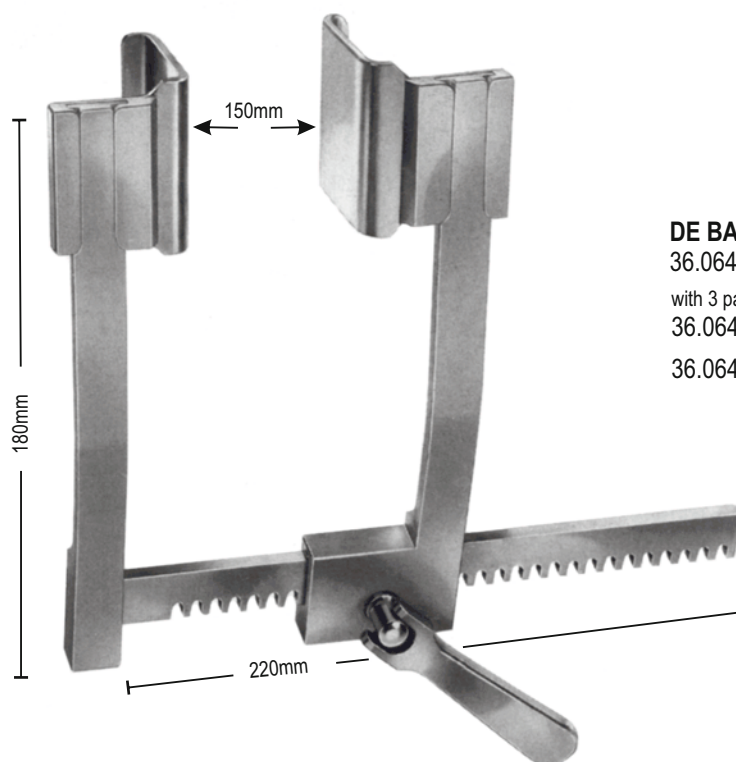
36 | Ранорасширители реберные Rib Spreaders



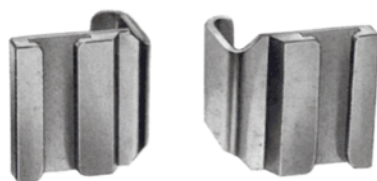
sternal retractor for IMA dissection
36.0620.00



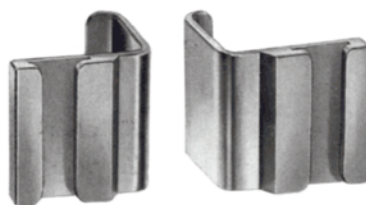
Carpenter's thoracic retractor
(adult)
36.0630.00 complete



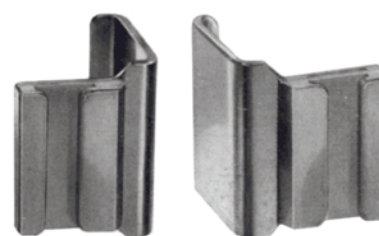
DE BAKEY
36.0640.00
with 3 pairs of blades
36.0640.01 / 36.0640.02 / 36.0640.03
36.0640.22 spreader only



Blades
36.0640.01
30 x 30 mm

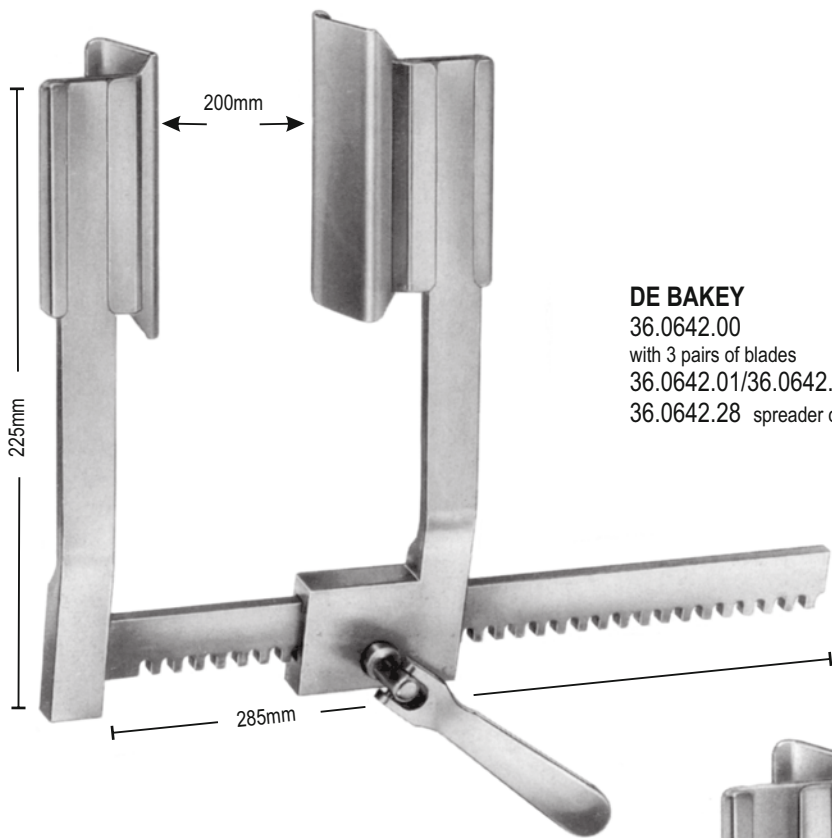


Blades
36.0640.02
40 x 40 mm



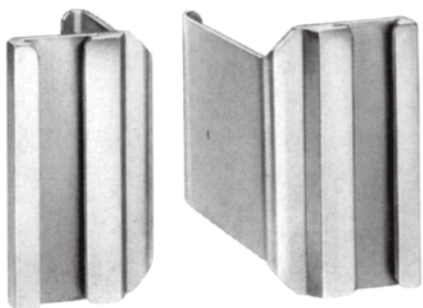
Blades
36.0640.03
50 x 50 mm

36 | Ранорасширители реберные Rib Spreaders

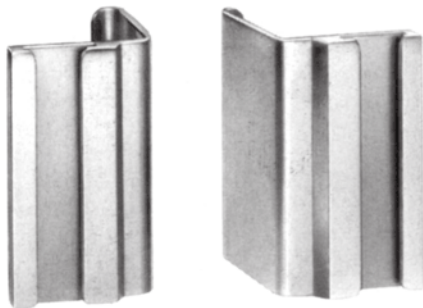


DE BAKEY
36.0642.00
with 3 pairs of blades
36.0642.01/36.0642.02/36.0642.03
36.0642.28 spreader only

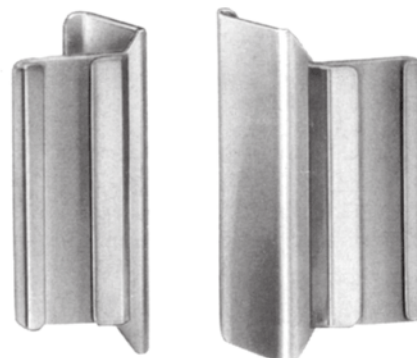
blades
36.0642.01
60 x 60 mm



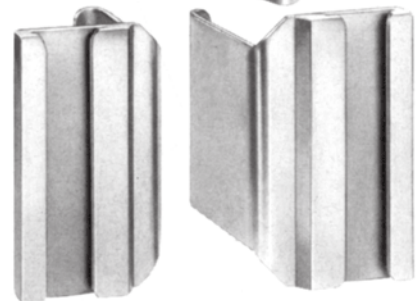
blades
36.0642.02
50 x 80 mm



blades
36.0642.03
40 x 100 mm



blades
36.0642.04
80 x 60 mm



blades
36.0642.05
50 x 66 mm

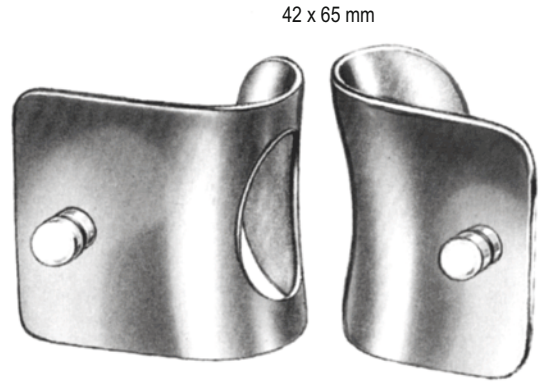




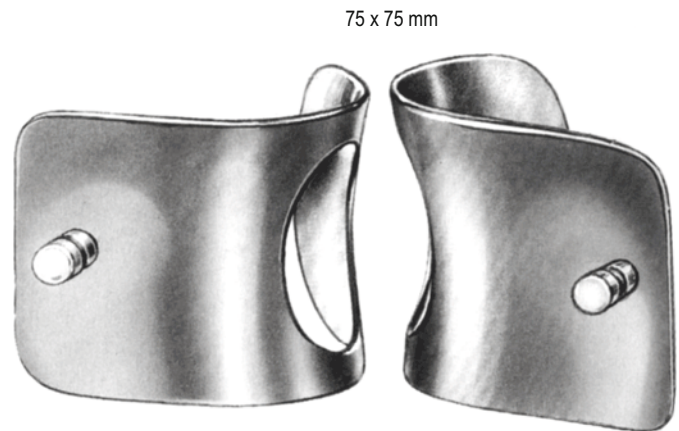
QUERVAIN
36.0650.00
35 X 50 X 180 mm

36 | Ранорасширители реберные

Rib Spreaders



36.0660.65



36.0660.75

- 36.0660.00 complete consisting of:
 36.0660.01 retractor only
 36.0660.65 1 pair blades 42x65mm
 36.0660.75 1 pair blades 75x75mm



ALLISON
36.0690.25 25.0cm
36.0690.30 30.0cm
36.0690.32 32.0cm



36.0700.26
26.0cm



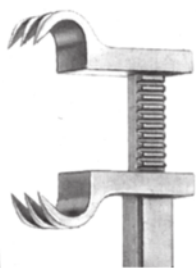
CRAFOORD
36.0710.28
28.0cm



BAILEY-BABY
36.0720.14
14.0cm



BAILEY
36.0722.16 16.0cm
36.0722.20 20.0cm



BAILEY-GIBBON
36.0724.16 16.0cm
36.0724.20 20.0cm



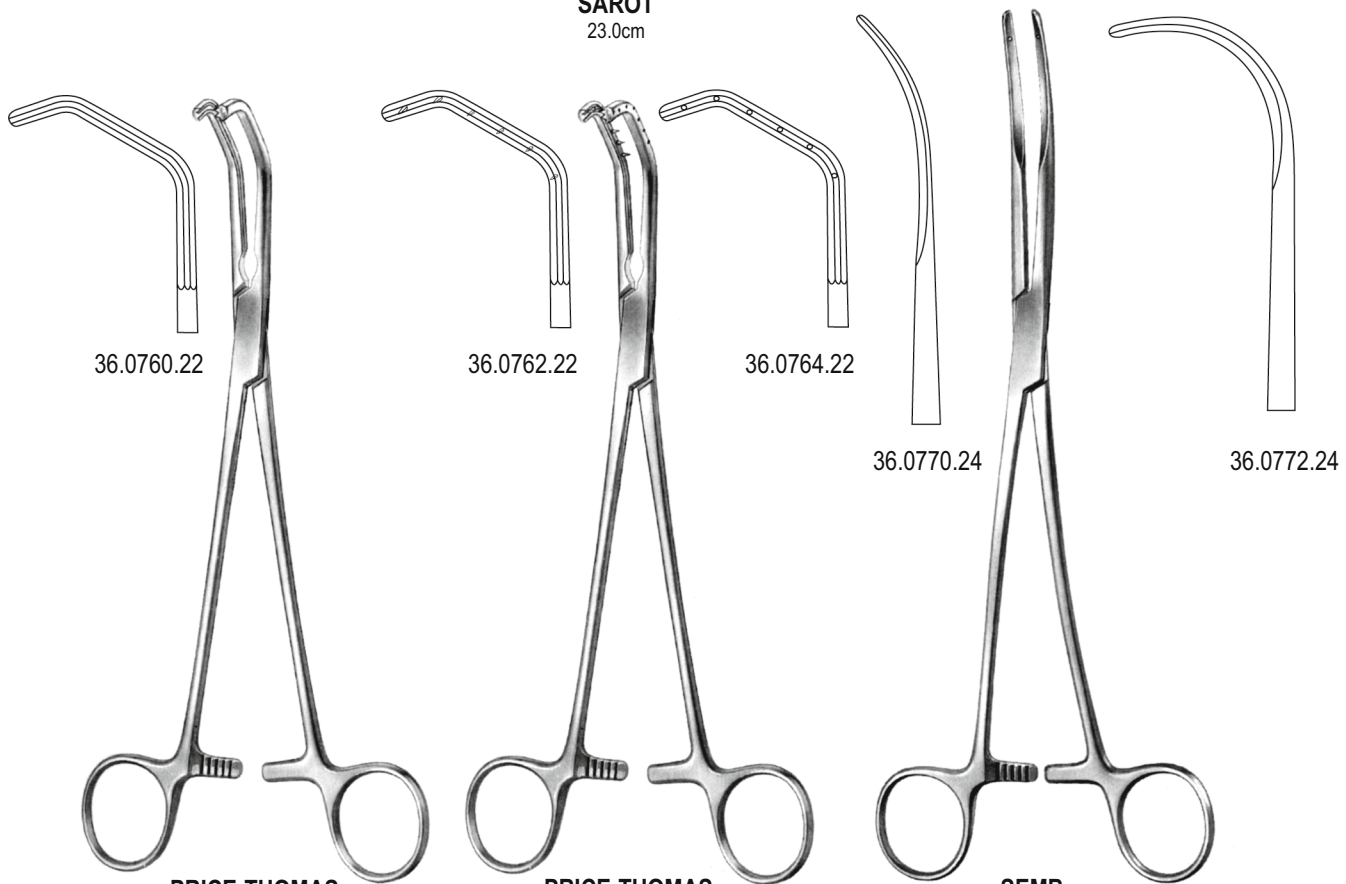
36.0730.19
19.0cm



LEMMON
36.0740.14 14.5cm
36.0740.18 18.0cm



SAROT
23.0cm



PRICE-THOMAS
22.0cm

PRICE-THOMAS
22.0cm

SEMB
24.0cm